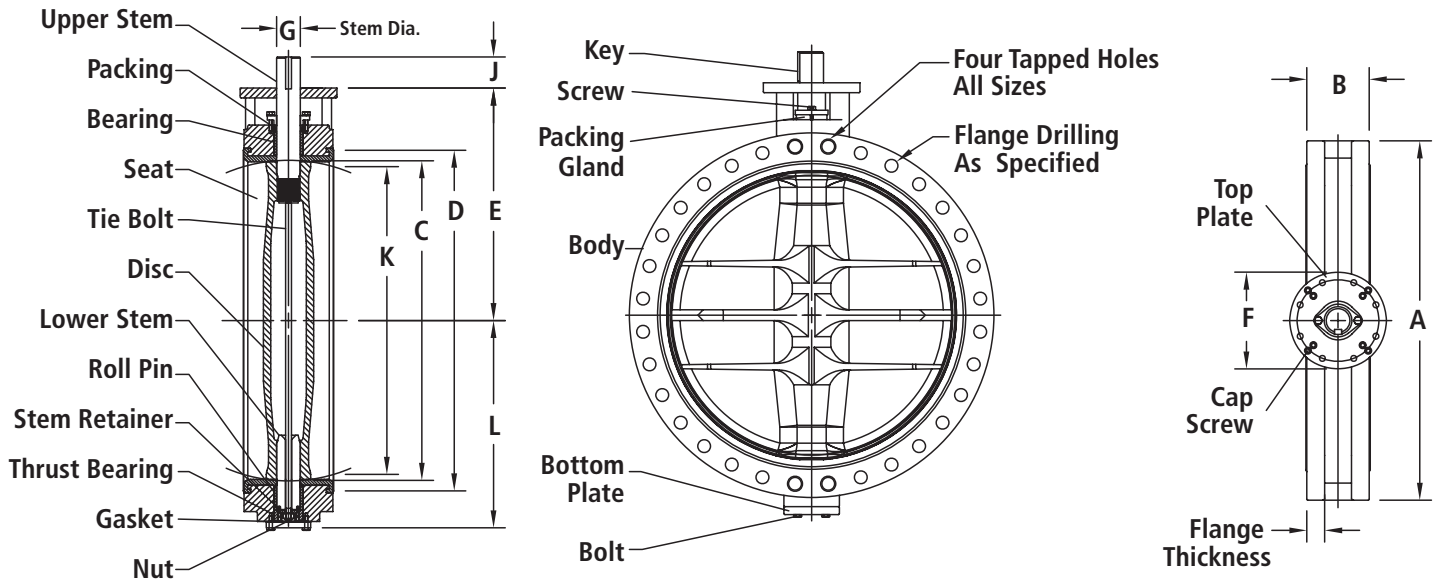


Series 35F Double Flange



IMPERIAL DIMENSIONS: Inches

Valve Size	A	B	Flange Thk.	C	D	E	F	Top Plate Drilling			G	J	Key Size	K	L	Adapter Code	Weight (lbs)
								BC	No of Holes	Hole Diameter							
32	41.75	7.48	2.00	30.39	33.70	26.37	11.81	10.00	8	.71	2.50	4.00	.62 x .62	29.57	21.88	F25-1	972
36	46.00	7.88	2.00	33.50	38.25	27.75	13.78	11.73	8	.81	2.50	4.00	.62 x .62	34.50	23.60	CF	1079
40	50.75	8.50	1.97	38.37	41.58	30.78	13.78	11.73	8	.81	3.00	4.00	.75 x .75	37.45	26.56	F30-1	1945
42	53.00	9.88	2.62	41.25	44.25	32.00	13.78	11.73	8	.81	3.00	4.00	.75 x .75	40.20	27.81	F30-1	2282
44	55.25	9.88	2.62	43.25	46.25	33.12	13.78	11.73	8	.81	3.50	5.25	.88 x .62	42.20	29.06	F30-2	2520
48	59.50	10.88	2.75	47.25	50.62	36.00	16.34	14.02	8	1.30	3.50	5.25	.88 x .62	46.13	31.06	CF	2880
54	69.00	15.36	3.00	54.12	57.50	40.62	13.78	11.73	8	.81	4.00	5.25	1.00 x .75	51.88	37.19	F30-3	5290
60	73.00	15.00	3.12	58.39	63.07	44.31	16.34	14.02	8	1.56	5.00	6.00	1.25 x .88	56.62	39.56	F30-4	5671

Note: K dimension is disc chordal dimension at valve face. CF = Consult Factory

Metric DIMENSIONS: Millimeters

Valve Size	A	B	Flange Thk.	C	D	E	F	Top Plate Drilling			G	J	Key Size	K	L	Adapter Code	Weight (kg)
								BC	No of Holes	Hole Diameter							
800	1060	190	51	772	856	670	300	254	8	18	64	102	16 x 16	751	556	F25-1	441
900	1168	200	51	851	972	705	350	298	8	21	64	102	16 x 16	876	599	CF	489
1000	1289	216	50	975	1056	782	350	298	8	21	76	102	19 x 19	951	675	F30-1	882
1050	1346	251	67	1048	1124	813	350	298	8	21	76	102	19 x 19	1021	706	F30-1	1035
1100	1403	251	67	1099	1175	841	350	298	8	21	89	133	22 x 16	1072	738	F30-2	1143
1200	1511	276	70	1200	1286	914	415	356	8	33	89	133	22 x 16	1172	789	CF	1306
1400	1753	390	76	1375	1461	1032	350	298	8	21	102	133	25 x 19	1318	945	F30-3	2400
1500	1854	381	79	1483	1602	1125	415	356	8	40	127	152	32 x 22	1438	1005	F30-4	2572

Note: K dimension is disc chordal dimension at valve face. CF = Consult Factory

Drawings are for reference only. Please refer to Bray ES drawings on the Bray website, www.bray.com. Bray reserves the right to change product dimensions without notice.

Inquire/P.O. No.: _____

Bray Order No.: _____

SR Drawing #35F-32/60-in

Customer/Project: _____