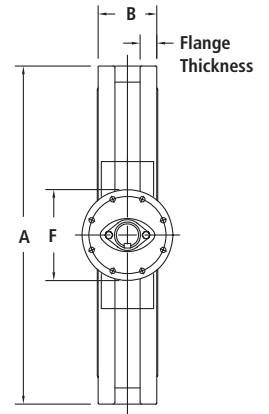
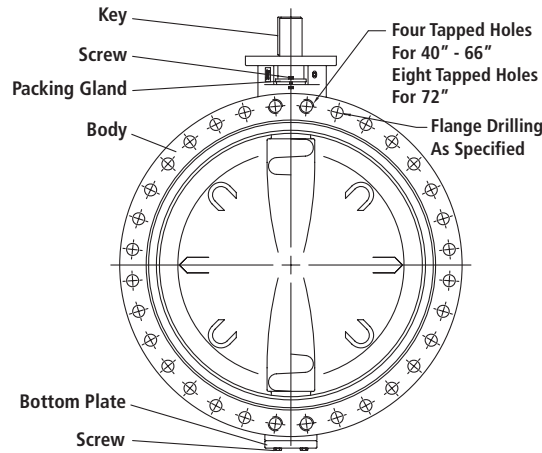
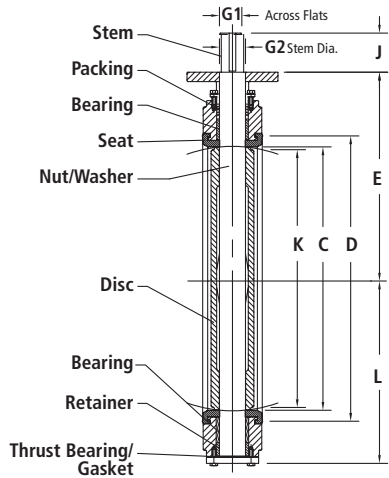


Series 35-36 Double Flange



IMPERIAL DIMENSIONS: Inches

Valve Size Ins	A	B	Flange Thk.	C	D	E	F	Mounting Flange Drilling			G2	SERIES 35				SERIES 36				L	Weight (lbs.)
								PCD	No. Holes	Hole Dia.		G1	J	Key Size	K	G1	J	Key Size	K		
22	31.25	6.06	1.53	21.27	24.12	20.12	8.27	6.50	4	.81	2.50	2.50	4.00	.62x.62	20.51	2.50	4.00	.62x.62	20.56	16.56	475
24	33.00	5.94	1.47	23.28	25.75	19.50	8.27	6.50	4	.81	2.50	2.50	4.00	.62x.62	22.65	2.50	4.00	.62x.62	22.70	17.56	500
26	35.25	6.50	1.59	24.46	27.83	21.83	11.81	10.00	8	.71	2.50	2.50	4.00	.62x.62	23.71	2.50	4.00	.62x.62	23.76	18.82	675
28	37.80	6.50	1.59	26.46	29.83	22.84	11.81	10.00	8	.71	2.50	2.50	4.00	.62x.62	25.74	2.50	4.00	.62x.62	25.78	19.83	735
30	38.75	6.56	1.75	29.29	32.14	23.00	11.81	10.00	8	.71	3.00	2.50	4.00	.62x.62	28.68	3.00	4.00	.75x.75	28.73	20.81	855
32	41.75	7.48	2.00	30.39	33.78	26.38	11.81	10.00	8	.71	3.00	2.50	4.00	.62x.62	29.59	3.00	4.00	.75x.75	29.65	21.94	1010
34	44.69	7.88	2.00	33.00	35.82	26.93	13.78	11.73	8	.81	3.50	3.00	4.00	.75x.75	32.18	3.50	5.25	.88x.62	32.22	23.66	1165
36	46.00	7.88	2.00	35.30	38.25	27.75	13.78	11.73	8	.81	3.50	3.00	4.00	.75x.75	34.57	3.50	5.25	.88x.62	34.62	24.94	1320
40	50.75	8.50	1.97	38.27	41.66	30.79	13.78	11.73	8	.81	4.00	3.50	5.25	.88x.62	37.44	4.00	5.25	1.0x.75	37.49	26.56	2140
42	53.00	9.88	2.62	41.25	44.62	32.00	13.78	11.73	8	.81	4.00	3.50	5.25	.88x.62	40.21	4.00	5.25	1.0x.75	40.25	27.81	2550
44	55.25	9.88	2.62	43.25	46.72	33.12	13.78	11.73	8	.81	4.00	3.50	5.25	.88x.62	42.24	4.00	5.25	1.0x.75	42.29	29.06	2800
48	59.50	10.88	2.75	47.25	50.62	36.00	16.34	14.02	8	1.28	5.00	4.00	5.25	1.0x.75	46.16	5.00	6.00	1.25x.88	46.21	31.06	3200
52	Consult Factory																				
54	69.00	15.00	3.08	54.00	57.50	40.62	13.78	11.73	8	.81	6.00	5.00	5.25	1.25x.88	52.02	—	—	—	—	37.25	6000
54	69.00	15.00	3.08	54.00	57.50	40.62	16.34	14.02	8	1.28	6.00	—	—	—	—	6.00	6.50	1.5x1.0	52.06	37.25	6000
56	Consult Factory																				
60	73.00	15.00	3.13	58.39	63.07	44.31	16.34	14.02	8	1.38	7.00	6.00	6.50	1.5x1.0	56.67	—	—	—	—	39.12	7000
60	73.00	15.00	3.13	58.39	63.07	44.31	18.70	15.98	8	1.56	7.00	—	—	—	—	7.00	7.50	1.75x1.5	56.72	39.12	7000
64	Consult Factory																				
66	80.00	18.00	3.25	65.12	70.04	48.75	16.34	14.02	8	1.38	7.00	6.00	6.50	1.5x1.0	62.84	—	—	—	—	43.80	8000
66	80.00	18.00	3.25	65.12	70.04	48.75	18.70	15.98	8	1.56	7.00	—	—	—	—	7.00	7.50	1.75x1.5	62.88	43.80	8000
72	86.50	18.00	3.50	69.22	73.90	52.25	22.05	15.98	8	1.56	8.50	7.50	8.00	1.75x1.5	67.06	—	—	—	—	46.92	11250
72	86.50	18.00	3.50	69.22	73.90	52.25	22.05	19.02	12	1.56	8.50	—	—	—	—	8.50	10.00	2.0x1.5	67.10	46.92	11250
78	93.00	18.00	3.63	76.37	81.29	55.00	27.00	19.02	12	1.31	8.50	7.50	8.00	1.75x1.5	74.49	—	—	—	—	51.28	12950
78	93.00	18.00	3.63	76.37	81.29	55.00	27.00	19.02	12	1.56	8.50	—	—	—	—	8.50	8.50	2.0x1.5	74.54	51.28	12950
84	99.76	18.00	3.63	82.62	87.54	58.88	27.00	23.74	20	1.31	9.50	8.50	8.50	2.0x1.5	80.91	—	—	—	—	55.66	14500
84	99.76	18.00	3.63	82.62	87.54	58.88	27.00	23.74	20	1.56	9.50	—	—	—	—	9.50	10.00	2.5x1.75	80.96	55.66	14500
90	Consult Factory																				
96	Consult Factory																				

Note: K dimension is disc chordal dimension at valve face.

Drawings are for reference only. Please refer to Bray ES drawings on the Bray website, www.bray.com. Bray reserves the right to change product dimensions without notice.

Inquire/P.O. No.: _____

Bray Order No.: _____

SR Drawing #35/36-22/96-in

Customer/Project: _____