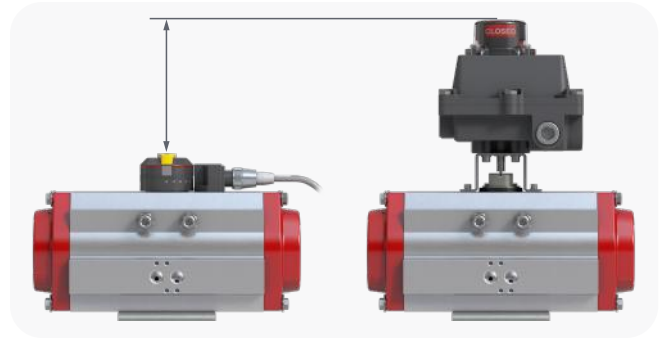


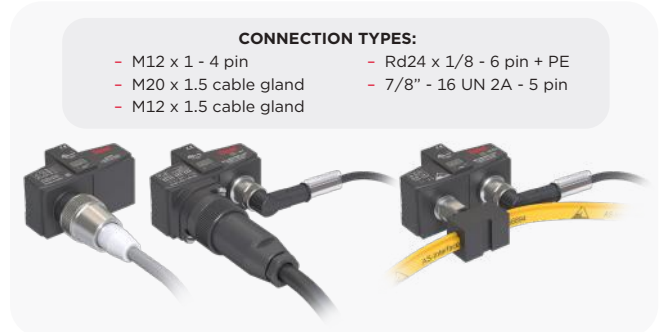
1 COMPACT POLYMER DESIGN

- Low profile design to be used in applications with space constraints
- Minimalist design due to contactless operation promotes zero maintenance
- Rugged housing optimized for outdoor industrial environments
- Fast commissioning due to rapid installation on NAMUR VDI / VDE 3845 actuators



2 QUICK CONNECTION CAPABLE

- Quick connect offerings promote time savings during installation
- Cable and conduit entry versions follow standard industry quick connect designs
- Sensor connectivity includes single pin connector, dual pin connector, or cable glands



3 POTTED ELECTRONICS

- Critical electrical components are hermetically sealed with resin for corrosion, vibration, and UV resistance
- Conduit entry versions isolate sensor electronics from terminal compartment
- Elimination of dust ingress common in harsh environments



4 WATER INGRESS

- IP66, IP67, IP67K, and optional IP69K Ingress Protection offered
- Potted electronics promote suitability in high pressure wash-downs and harsh vibrations



5 LED INDICATION AND HIGH VISIBILITY

- Bright LEDs for power and valve position (open and close) provides easy commissioning and verification of signal
- Fully adjustable and high visibility activator contains two stainless steel targets for CW or CCW operation

