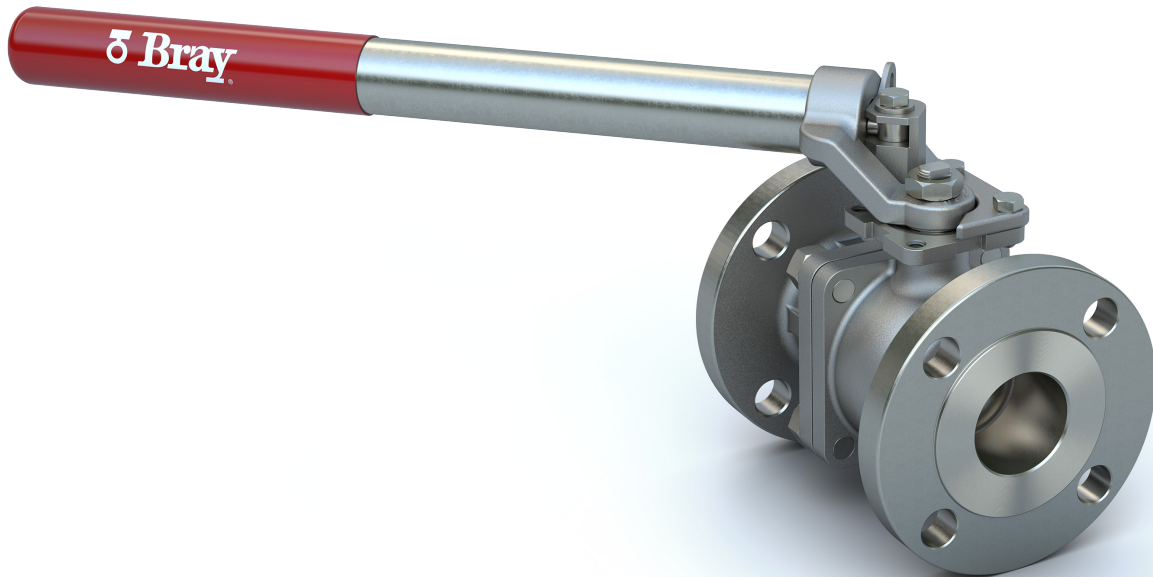

FLOW-TEK

SRH SERIES

Spring Return Handle (Deadman Handle)

For use with compatible ¼" - 2" Ball Valves



Flow-Tek's SRH Series Spring Return (Deadman) Handles are manufactured from heavy duty stainless steel components to withstand frequent daily use in refueling, sampling, drains, and other OSHA applications that require positive closure of a manual valve. Each Spring Return Handle has a locking device as standard to lock

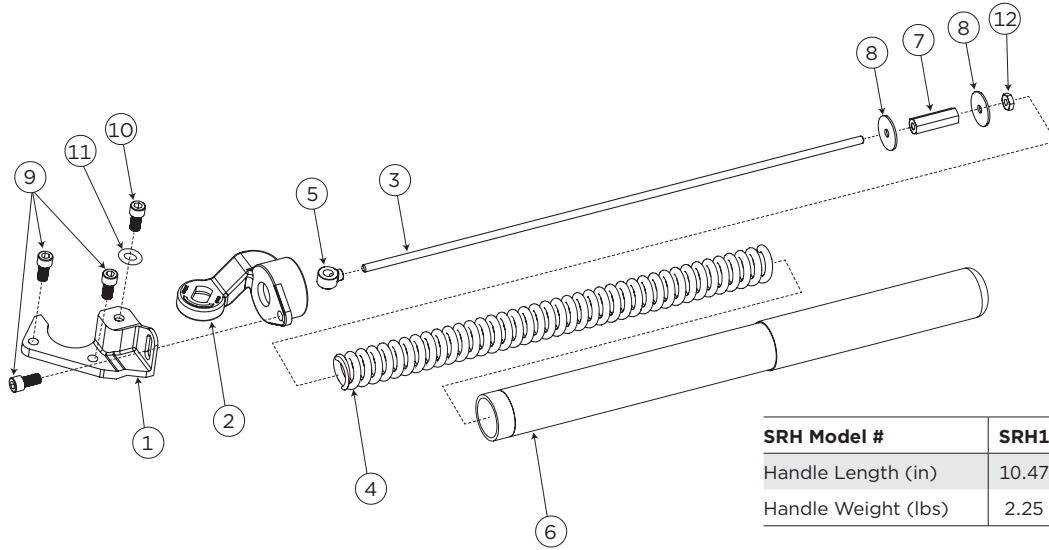
the valve in the closed position. The SRH Handle is available in three sizes that mount directly to the rugged investment cast ISO 5211 mounting pads on compatible Flow-Tek full or standard port industrial ball valves.

All compatible Flow-Tek valves utilize live loaded packing which provides

longer periods between packing adjustment and maintenance, reducing the need to remove the SRH handle for valve maintenance.

Each SRH Handle can be easily retrofitted on existing Flow-Tek lever operated ball valves provided one follows the compatibility chart shown on the reverse side.

FLOW-TEK
SRH SERIES SPRING RETURN HANDLE



SRH Model #	SRH1	SRH2	SRH3
Handle Length (in)	10.47	13.38	19.125
Handle Weight (lbs)	2.25	3	5.7

Parts List			
Item	Description	Material	Qty.
1	Base Plate	CF8M	1
2	Handle Body	CF8M	1
3	Spring Rod, M6	Stainless Steel 304	1
4	Spring	Carbon Steel Music Wire	1
5	Rod Clevis	CF8M	1
6	Handle	Stainless Steel	1

Parts List			
Item	Description	Material	Qty.
7	Spring Nut M6 x .38"	Stainless Steel 304	1
8	Spring Washer 5/16 x 27 x 1.5"	Stainless Steel 304	2
9	Hex Cap Screw 5/16 x 18 x 3/4"	Stainless Steel 304	3
10	Hex Cap Screw M8 x 20mm	Stainless Steel 304	1
11	8mm Lock Washer	Stainless Steel 304	1
12	M6 Hex Nut	Stainless Steel 304	1

VALVE MODEL F15	
Size (in)	SRH No.
½	1
¾	1
1	2
1½	3
2	3

VALVE MODEL F30		
Size (in)	SRH No.	
½	1	Handle mounted one side only (lock on the cap side)
¾	1	Handle mounted one side only (lock on the cap side)
1	2	Handle mounted one side only (lock on the cap side)
1½	3	Handle mounted one side only (lock on the cap side)
2	3	

VALVE MODEL RF15/RF30		
Size (in)	SRH No.	
1	1	Handle mounted one side only (lock on the insert side)
1½	2	Handle mounted one side only (lock on the insert side)
2	3	Handle mounted one side only (lock on the insert side)

VALVE MODEL S85	
Size (in)	SRH No.
½	1
¾	1
1	2
1¼	2
1½	3
2	3

VALVE MODEL 7000/8000	
Size (in)	SRH No.
¼	1
⅜	1
½	1
¾	1
1	2
1¼	2
1½	3
2	3

VALVE MODEL TRIAD FP	
Size (in)	SRH No.
¼	1
⅜	1
½	1
¾	1
1	3
1¼	3

VALVE MODEL TRIAD SP	
Size (in)	SRH No.
¾	1
1	1
1¼	3
1½	3



HEADQUARTERS
BRAY INTERNATIONAL, INC.
 13333 Westland East Blvd.
 Houston, Texas 77041
 Tel: 281.894.5454

All statements, technical information, and recommendations in this bulletin are for general use only. Consult Bray representatives or factory for the specific requirements and material selection for your intended application. The right to change or modify product design or product without prior notice is reserved. Patents issued and applied for worldwide. Bray® is a registered trademark of Bray International, Inc.