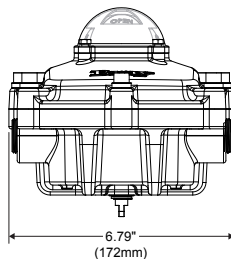
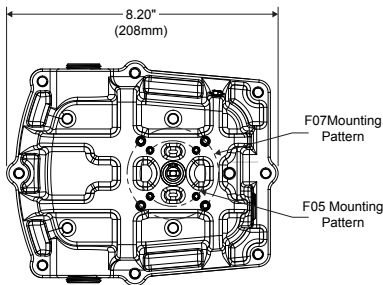
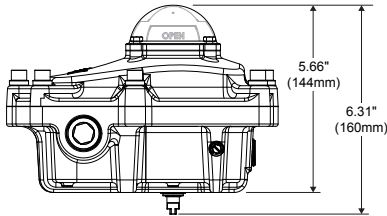




DIMENSIONS



FEATURES

- IP 66/67/68
- High visibility indicator dome
- SIL 3 Capable Option
- Hazardous Locations
- Up to 20 terminals and 3 conduit ports

TECHNICAL DATA

General Specifications

Body Material	Die Cast Aluminium	
Indicator Dome	Polycarbonate	
Coating	Grey Polyester	
Conduit Thread	3/4" NPT or M25 (Sides), 1/2" NPT or M20 (Rear)	
Conduit Quantity	3	
Temperature Range	-13°F to 149°F (-25°C to 65°C).	
Approx. Weight with 2 x SPDT	6.5 lbs / 2.9 kg	
Mouting Pattern	VDI/VDE 3845	
Terminal	12 or 20 Pole configurations	
O-Rings	EPDM	
Indicator Options	Open (yellow) Closed (red) Open (green) Closed (red)	Open (black) Closed (yellow) Open (red) Closed (green)
Ratings	IP66, 67 & 68	

Certifications

UL	Class I, Division 1, Groups A, B, C and D T6 Class II Division 1, Groups E, F and G T85°C	E202292
ATEX	II 2 G Ex db IIB + H2 T6 Gb II 2 D Ex tb IIIC T85°C Db	DEMKO 18ATEX1951X
IECEX	Ex db IIB + H2 T6 Gb Ex tb IIIC T85°C Db	IECEX UL 18.0075X
INMETRO	Ex db IIB+H2 T6 Gb Ex tb IIIC T85 °C Db	LMP 21.0004X

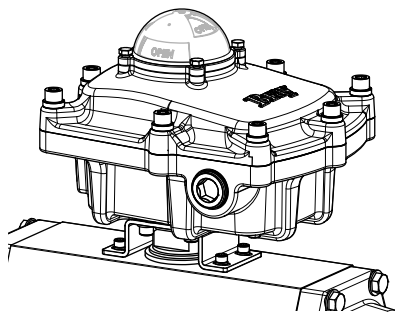
Mechanical Switches

Switch Type	SPDT	SPDT Low Power	DPDT-DB
Switch Ratings	10A, 250V AC 1/2 HP, 250V AC 0.25A, 250V DC 0.5A, 125V DC	0.1A, 125V AC 0.1A, 30V DC 1mA, 4V AC/DC min	10A, 250V AC 3/4 HP, 250V AC 10A, 28V DC Res. 7A, 28V DC Ind.
Max Number of Switches	6	6	2
Approvals	cULus, SIL 3 Capable	cULus, SIL 3 Capable	cULus, SIL 3 Capable
3-Wire DC Proximity Switches	PNP N.O.	PNP N.C.	NPN N.O.
Power Supply	Class 2	Class 2	Class 2
Operating Voltage	10-30V DC	10-30V DC	10-30V DC
Load Current	≤ 100 mA	≤ 100 mA	≤ 100 mA
Current Consumption	≤ 15 mA	≤ 15 mA	≤ 15 mA
Leakage Current	≤ 0.5 mA	≤ 0.5 mA	≤ 0.5 mA
Voltage Drop	≤ 3V	≤ 3V	≤ 3V
Max Number of Switches	6	6	6
Approvals	cULus	cULus	cULus

BRACKET

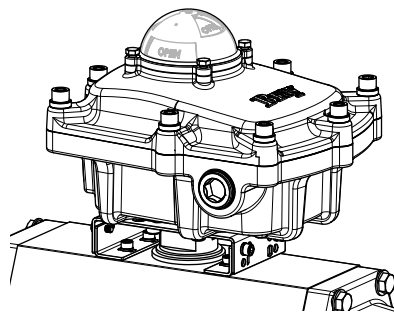
Bracket Type	NAMUR Pattern	Actuator Series	Actuator Size	VSM / Actuator	Std. Part No.
Single Piece	30 x 80	92 / 93	063 - 128	Imperial / Imperial	5B0000-22600534
				Metric / Metric	5B0000-22650534
		98	All	Imperial / Metric	5B0000-22630534
				Metric / Metric	5B0000-22650534
Adjustable	30 x 80 or 30 x 130	92 / 93	063 - 210 063 - 255 255	Imperial / Imperial	5B0000-22601534
				Metric / Metric	5B0000-22651534
				Imperial / Metric	5B0000-22631534
		98	All	Imperial / Metric	5B0000-22631534
				Metric / Metric	5B0000-22651534

Single Piece Bracket

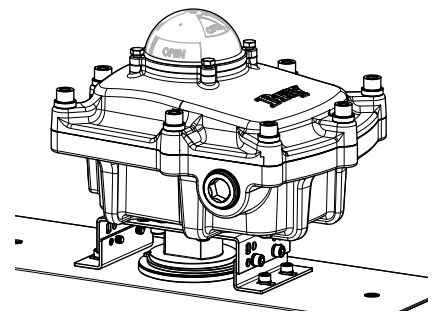


30mm x 80mm

Adjustable Bracket for both 30x80 and 30x130 NAMUR mounting pads (fits all S92/93/98 actuators)



30mm x 80mm



30mm x 130mm

PART NUMBERING SYSTEM

5C000X-126X XXXX / E X

Thread Type	
0	Imperial
5	Metric

Switch Option	
A	SPDT Mechanical Switch
B	SPDT Mechanical Gold Plated Switch (Low Power)
C	PNP N.O., 3-Wire Switch
D	NPN N.O., 3-Wire Switch
E	PNP N.C., 3-Wire Switch
M	DeviceNet Module
N	AS-i Module
P	Profibus DP Module
S	DPDT-DB Mechanical Switch

Switch Configuration	
2	2 Switches
3	3 Switches, Independent
4	4 Switches, Independent
5	4 Switches (2 Independent, 2 Auxiliary)
6	6 Switches (4 Independent, 2 Auxiliary)

Indicator Language	
E	English

Indicator Color	
2	Red Closed/ Green Open
3	Yellow Closed/ Black Open
4	Green Closed/ Red Open

No Additional Characters	
	Standard English
	Red Closed/Yellow Open

Body Material	
536	Polyester coated die-cast aluminum

HEADQUARTERS

Bray International, Inc.
 13333 Westland East Blvd.
 Houston, Texas 77041
 Tel: 281.894.5454
 bray.com

All statements, technical information, and recommendations in this bulletin are for general use only. Consult Bray representatives or factory for the specific requirements and material selection for your intended application. The right to change or modify product design or product without prior notice is reserved. Patents issued and applied for worldwide.

Bray® is a registered trademark of Bray International, Inc.

© 2022 Bray International. All rights reserved.

TM-1092_5C_aluminum_20221014