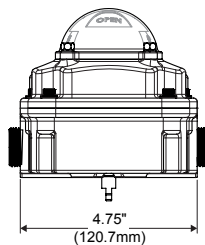
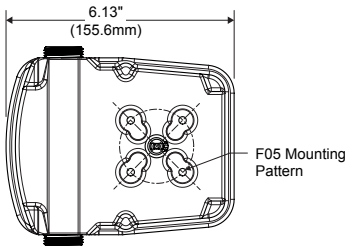
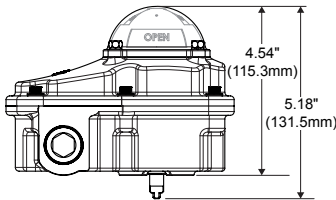




## DIMENSIONS



## FEATURES

- IP66 / 67
- NEMA 4, 4x
- High Visibility Indicator Dome
- Up to 20 Terminals
- SIL 3 Capable Option

## TECHNICAL DATA

### General Specifications

Body Material	Die cast aluminum
Indicator Dome	Polycarbonate
Coating	Grey polyester
Conduit Thread	3/4" NPT or M25
Conduit Quantity	2
Temperature Range	-13°F to 149°F (-25°C to 65°C)
Approx. Weight with 2 x SPDT	2.4 lbs / 1.1 kg
Mounting Pattern	VDI/VDE 3845
Terminal	12 or 20 Pole configurations
O-Rings	EPDM

Indicator Options	Open (yellow) Closed (red)	Open (black) Closed (yellow)
	Open (green) Closed (red)	Open (red) Closed (green)

Ratings	IP66/67 & NEMA 4, 4x
---------	----------------------

Certification	cULus on most models. CE Declaration
---------------	--------------------------------------

Hazardous Locations (Optional)	ATEX, IECEx, cULus for intrinsic safety
--------------------------------	---

### Mechanical Switches

Switch Type	SPDT	SPDT Low Power	DPDT-DB	Reed Switches
Switch Ratings	10A, 250V AC 1/2 HP, 250V AC 0.25A, 250V DC 0.5A, 125V DC	0.1A, 125V AC 0.1A, 30V DC 1mA, 4V AC/DC min	10A, 250V AC 3/4 HP, 250V AC 10A, 28V DC Res. 7A, 28V DC Ind.	SPDT 180 mA, 110V AC 830 mA, 24V DC 20W max.
Max Number of Switches	6	6	2	6
Approvals	cULus, SIL 3 Capable	cULus, SIL 3 Capable	cULus, SIL 3 Capable	SIL 3 Capable
3-Wire DC Proximity Switches	PNP N.O.	PNP N.C.	NPN N.O.	NPN N.C.
Power Supply	Class 2	Class 2	Class 2	Class 2
Operating Voltage	10-30V DC	10-30V DC	10-30V DC	10-30V DC
Load Current	≤ 100 mA	≤ 100 mA	≤ 100 mA	≤ 100 mA
Current Consumption	≤ 15 mA	≤ 15 mA	≤ 15 mA	≤ 15 mA
Leakage Current	≤ 0.5 mA	≤ 0.5 mA	≤ 0.5 mA	≤ 0.5 mA
Voltage Drop	≤ 3V	≤ 3V	≤ 3V	≤ 3V
Max Number of Switches	6	6	6	6
Approvals	cULus	cULus	cULus	N/A

### 2-Wire Proximity Switches

	140V N.O.	250V N.O.
Operating Voltage	20-140V AC 10-140V DC	20-250V AC 10-300V DC
Load Current	5-200 mA	≤ 100 mA
Leakage Current	≤ 0.8 mA	≤ 1.7 mA
Voltage Drop	≤ 7V	≤ 6V
Max Number of Switches	6	6
Approvals	N/A	N/A

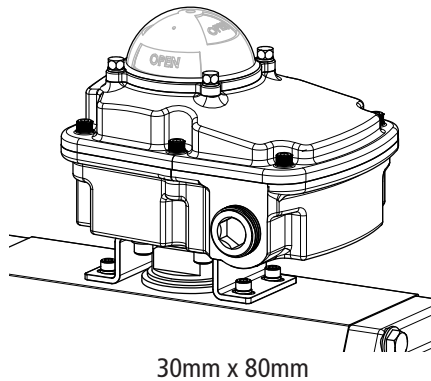
### NAMUR I.S. Switches

	N.C.	
Current Consumption	≥ 3 mA (deactivated) ≤ 1 mA (activated)	UL/cUL Class I, Division 1, Groups A, B, C, & D, T6 Class II, Division 1, Groups E, F, & G, T85°C Class III Class I, Zone 0, AEx ia IIC T6 Class I, Zone 1, AEx ia IIC T6 Ex ia IIC Gb T6
Nominal voltage	8.2 V	
Max Power	64 mW	
Max Voltage	16 V	
Switch	P+F NJ2-V3-N	ATEX II 1G Ex ia IIC Ga T6 II 2G Ex ia IIC Gb T6
Max Current	25 mA	IECEX Ex ia IIC Ga T6 Ex ia IIC Gb T6
Effective Capacitance (C <sub>e</sub> )	≤ 40 nF	
Effective Inductance (L <sub>e</sub> )	≤ 50 μH	
Max Number of Switches	6	Ambient Zone 0 or 1G: -25°C ≤ Ta ≤ +49°C Zone 1 or 2G: -25°C ≤ Ta ≤ +65°C
Approval	cULus, ATEX, IECEx, SIL 3 Capable	

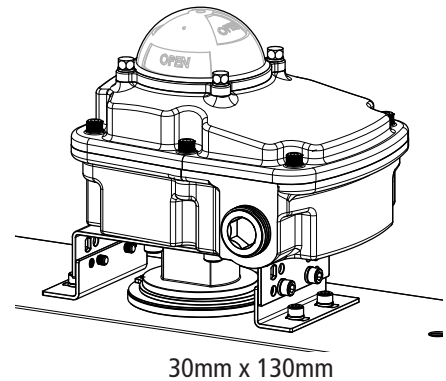
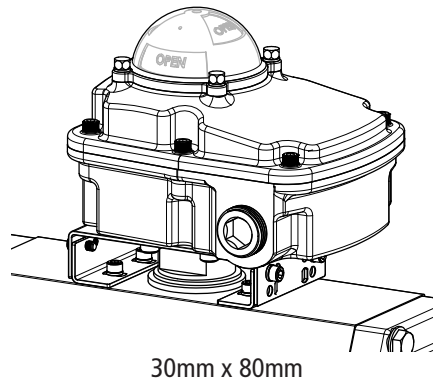
All information herein is proprietary, confidential, and may not be copied or reproduced without the expressed written consent of BRAY INTERNATIONAL, Inc. The technical data herein is for general information only. Product suitability should be based solely upon customer's detailed knowledge and experience with their application.

BRACKET					
Bracket Type	NAMUR Pattern	Actuator Series	Actuator Size	VSM / Actuator	Std. Part No.
Single Piece	30 x 80	92 / 93	063 - 128	Imperial / Imperial	5B0000-22600534
				Imperial / Metric	5B0000-22630534
		98	All	Imperial / Metric	5B0000-22630534
				Metric / Metric	5B0000-22650534
Adjustable	30 x 80 or 30 x 130	92 / 93	063 - 210	Imperial / Imperial	5B0000-22601534
			063 - 255	Imperial / Metric	5B0000-22631534
		98	All	Metric / Metric	5B0000-22651534
				Imperial / Metric	5B0000-22631534
Metric / Metric	5B0000-22651534				

Single Piece Bracket

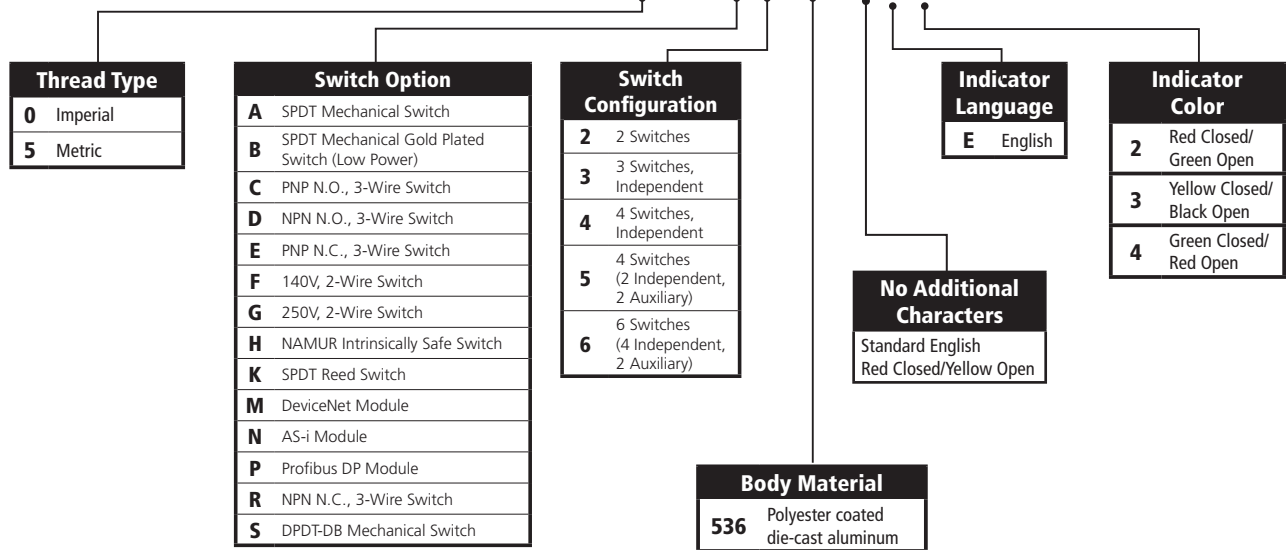


Adjustable Bracket for both 30x80 and 30x130 NAMUR mounting pads (fits all S92/93/98 actuators)



## PART NUMBERING SYSTEM

### 5B000X-126X XXX / E X



### HEADQUARTERS

**Bray International, Inc.**  
 13333 Westland East Blvd.  
 Houston, Texas 77041  
 Tel: 281.894.5454  
 bray.com

All statements, technical information, and recommendations in this bulletin are for general use only. Consult Bray representatives or factory for the specific requirements and material selection for your intended application. The right to change or modify product design or product without prior notice is reserved. Patents issued and applied for worldwide.

Bray® is a registered trademark of Bray International, Inc.

© 2022 Bray International. All rights reserved.

TM-1091\_5B\_aluminum\_20221014