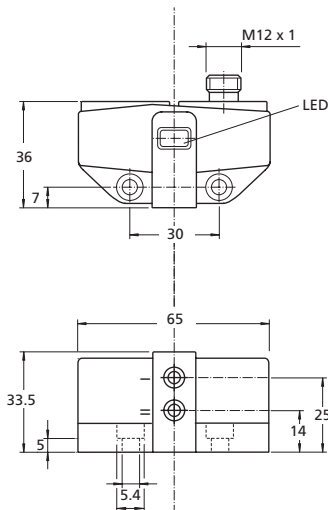




DIMENSIONS



ACTIVATOR



Activator sold separately

FEATURES

- DC 3-wire PNP sensor
- IP 67 rugged plastic housing
- Hermetically sealed
- Vibration, shock and corrosion resistant
- Small, compact design
- High visibility LED for power and switch status
- Quick Installation

TECHNICAL DATA

General specifications		
Switching function	2 x normally open (NO)	
Output type	PNP, 3-wire	
Rated operating distance	s_n 4 mm	
Installation	Flush mountable	
Output polarity	DC	
Assured operating distance	s_a 0 ... 3.24 mm	
Actual operating distance	s_r 3.6 ... 4.4 mm typ.	
Nominal ratings		
Operating voltage	U_B 10 ... 30 V DC	
Switching frequency	f 0 ... 1000 Hz	
Hysteresis	H Typ. 5 %	
Reverse polarity protection	Reverse polarity protected	
Short-circuit protection	Pulsing	
Voltage drop	U_d ≤ 2.5 V	
Operating current	I_L 0 ... 200 mA	
Off-state current	I_r 0 ... 0.5 mA typ. 0.1 μ A at 25°C	
No-load supply current	I_o ≤ 22.5 mA	
Time delay before availability	t_v ≤ 100 ms	
Operating voltage indicator	LED, green	
Switching state indicator	LED, yellow	
Ambient conditions		
Ambient temperature	T_A -25 ... 70°C (-13 ... 158°F)	
Storage temperature	-40 ... 85°C (-40 ... 185°F)	
Mechanical specifications		
Connection type	Connector M12 x 1, 4-pin	
Housing material	PBT	
Sensing face material	PC	
Degree of protection	IP67	
Mass	48g	
Tightening torque, fastening screws	M5 x 25 : 2.7Nm	
Compliance with standards and directives		
Standards	EN 60947-5-2:2007 EN 60947-5-2/A1:2012	IEC 60947-5-2:2007 IEC 60947-5-2 AMD 1:2012
Approvals and certificates		
UL approval	cULus listed, general purpose	
CCC approval	Approval and marking not required for products rated ≤ 36 V	

ACTIVATOR AND MOUNTING KITS

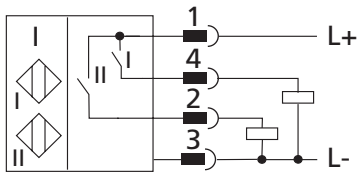
30 x 80 mm NAMUR Mounting, non adjustable

54063B-14800536	Fits Bray S92/93 Sizes 63 to 93 - Imperial
54063B-14850536	Fits Bray S92/93 Sizes 63 to 93 and Series 98 - Metric

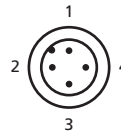
30 x 130 mm NAMUR Mounting, non adjustable

54119B-14800536	Fits Bray S92/93 Sizes 119 to 210 - Imperial
54119B-14850536	Fits Bray S92/93 Sizes 119 to 255 - Metric

WIRING DIAGRAM



CONNECTOR PINOUT



Wire colors in accordance with EN 60947-5-2

1	BN	(brown)
2	WH	(white)
3	BU	(blue)
4	BK	(black)

ACCESSORIES

090005-76145882	Sensor Cordset - M12 female straight connector (4-pin) to flying leads, 5 meters, zinc
090004-76145534	Sensor Cordset - M12 female straight connector (4-pin) to flying leads, 5 meters, stainless steel
600250-23663536	Y-Connector Cordset (S62, S63) - M12 female straight connector (4-pin sensor side) to M12 male straight connector (5-pin system side) AND Form B Type I solenoid connector (DIN 43650)
600250-23666536	Y-Connector Cordset (S60) - M12 female straight connector (4-pin sensor side) to M12 male straight connector (5-pin system side) AND Form A solenoid connector (DIN 43650)
630250-21524536	Series 63 - Solenoid Valve, NAMUR mount 3/2 or 5/2, Form B connector (DIN 43560), IP65, single 24vdc coil
621250-21524536	Series 62 - Solenoid Valve, NAMUR mount 3/2 or 5/2, Form B connector (DIN 43560), IP65, single 24vdc coil