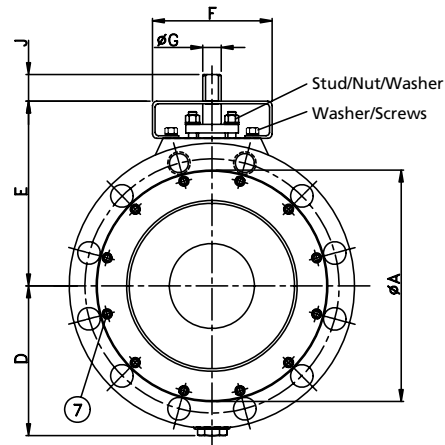
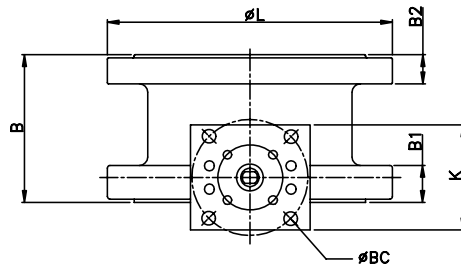
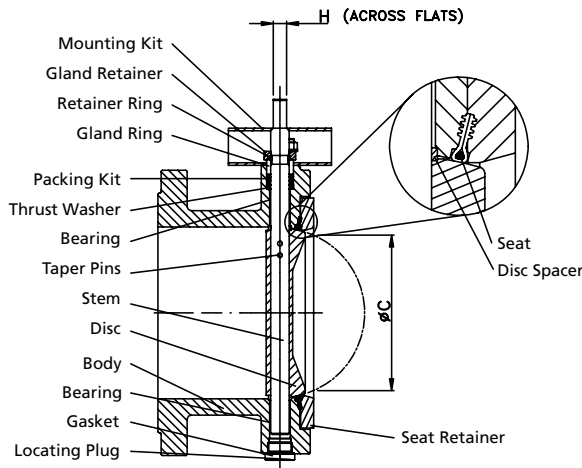


**Double Flanged**



**IMPERIAL DIMENSIONS: Inches**

Valve Size	A	B	B1	B2	C	D	E	F	G	H	J	K	L	Top Plate Drilling			Weight (lbs.)
														BC	No of Holes	Hole Diameter	
3	5.25	4.50	1.40	1.06	2.06	4.09	6.63	4.36	.63	.43	1.25	2.50	7.50	2.76	4	.38	29
4	6.75	5.0	1.46	1.06	2.82	4.71	7.50	4.36	.63	.43	1.25	2.50	9.00	2.76	4	.38	42
5	7.50	5.50	1.42	1.00	4.26	5.07	7.50	5.12	.75	.51	1.25	4.50	10.00	2.76	4	.38	53
6	8.62	5.50	1.51	1.06	5.42	5.57	8.00	5.12	.75	.51	1.25	4.50	11.00	2.76	4	.38	62
8	10.75	6.00	1.83	1.18	7.3	6.94	9.50	5.12	.87	.63	1.25	4.50	13.50	4.92	4	.53	100
10	13.06	6.50	1.81	1.35	9.27	8.56	10.75	6.12	1.18	.87	2.00	4.50	16.00	4.92	4	.53	172
12	15.50	7.00	2.14	1.41	11.12	10.18	12.25	6.12	1.18	.87	2.00	4.50	19.00	4.92	4	.53	230
14	17.50	7.50	2.28	1.54	12.13	11.95	14.50	7.75	1.38	.39 x .39	2.00	6.50	21.00	4.92	4	.53	344
16	19.81	8.50	2.24	1.60	13.93	12.94	17.75	10.38	1.97	.47 x .39	2.50	6.50	23.50	6.50	4	.81	551
18	21.41	8.75	2.48	1.72	15.77	14.15	20.00	10.38	1.97	.47 x .39	2.50	6.50	25.00	6.50	4	.81	706
20	23.68	9.00	2.73	1.74	17.65	15.26	22.75	10.38	2.50	.62 x .62	4.00	6.50	28.15	6.50	4	.81	970

**METRIC DIMENSIONS: Millimeters**

Valve Size	A	B	B1	B2	C	D	E	F	G	H	J	K	L	Top Plate Drilling			Weight (kg.)
														BC	No of Holes	Hole Diameter	
80	133	114	36	27	52	104	168	111	16	11	32	64	191	70	4	9.6	13
100	171	127	37	27	72	120	191	111	16	11	32	64	229	70	4	9.6	19
125	191	140	36	25	108	129	191	130	19.1	13	32	114	254	70	4	9.6	24
150	219	140	38	27	138	141	203	130	19.1	13	32	114	279	70	4	9.6	28
200	273	152	46	30	185	176	241	130	22.1	16	32	114	343	125	4	13.5	45
250	332	165	46	34	235	217	273	155	30.0	22	22	114	406	125	4	13.5	78
300	394	178	54	36	282	259	311	155	30.0	22	22	114	483	125	4	13.5	104
350	445	191	58	39	308	304	368	197	35.1	10 x 10	51	165	533	125	4	13.5	156
400	503	216	57	41	354	329	451	264	50.0	12 x 10	64	165	597	165	4	20.6	250
450	544	222	63	44	401	359	508	264	50.0	12 x 10	64	165	635	165	4	20.6	320
500	601	229	69	44	448	388	578	264	63.5	16 x 16	102	165	715	165	4	20.6	440

Drawings are for reference only. Please refer to Bray ES drawings on the Bray website, www.bray.com. Bray reserves the right to change product dimensions without notice.

**SR Drawing #4A-3/12-im** August 2012- Rev. 0

Inquire/P.O. No.: \_\_\_\_\_

Pg. 8 Customer/Project: \_\_\_\_\_

Bray Order No.: \_\_\_\_\_