

SERIES 85

2 PIECE THREADED FULL PORT BALL VALVES

Flow-Tek's Series S85 ball valves have been designed for ease of automation. Standard 2-piece valve bodies are investment cast Stainless Steel, solution annealed for the highest quality and added strength. All body castings are marked with a foundry heat number for full traceability.

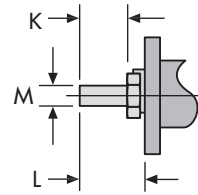
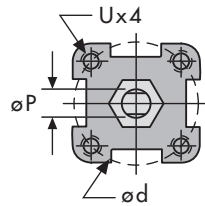
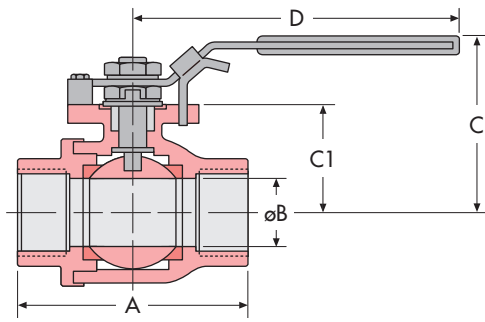
These valves offer quarter turn operation and low operating torque. The S85 features live-loaded, self-adjusting stem seals that automatically adjust packing to

compensate for changes in wear and temperature. Other features include replaceable seats and seals, anti-static devices, blowout proof stems, and stainless steel safety latch handles.

Secure Mount: The Series S85 features Flow-Tek's Secure Mount integrally cast actuator mounting pad. The Secure Mount fully complies with ISO 5211, ensuring positive alignment and interchangeability of the actuator.



Size	Pressure Rating	Steam Rating	Temperature Range	End Connections	Body Material
½" to 3"	1000 psi WOG	150 psi WSP	-50°F to +450°F -46°C to +232°C	Threaded - NPT	Stainless Steel



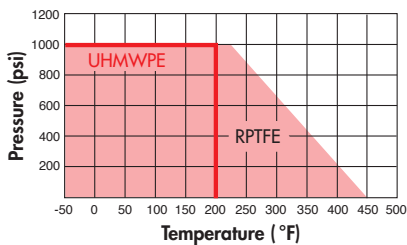
Verify mounting dimensions before manufacturing mounting hardware.

Dimensions

Size ins mm	A	øB Port	C	C1	D	ød	K	L	M	øP	U UNC	Cv	Torque lbs-in.*. mm	Weight lbs. kg
1/2 15	2.56 65	0.59 15	2.52 64	1.13 28.7	6.50 165.1	1.65 42	0.35 9	0.65 16.5	0.25 6.4	0.37 9.4	#10-24	38	60 7	0.65 0.3
3/4 20	2.99 76	0.79 20.1	2.80 71	1.40 35.5	6.50 165.1	1.65 42	0.35 9	0.65 16.5	0.25 6.4	0.37 6.4	#10-24	66	96 11	1.45 0.7
1 25	3.46 87.9	0.98 25	3.11 79	1.61 41	7.87 200	1.97 50	0.55 14	0.87 22	0.32 8	0.43 10.9	1/4"-20	105	140 16	2.36 1.1
1 1/4 32	3.82 97	1.26 32	3.66 93	2.16 54.95	7.87 200	1.97 50	0.55 14	0.97 20	0.32 8	0.43 10.9	1/4"-20	190	195 22	3.50 1.6
1 1/2 40	4.33 110	1.50 38.1	3.94 100.1	2.28 58	9.84 249.9	2.76 70	0.59 15	1.02 26	0.37 9.5	0.62 15.8	5/16"-18	275	315 36	4.85 2.2
2 50	5.28 134.1	2.00 50.8	4.25 108	2.60 66	9.84 249.9	2.76 70	0.59 15	1.02 26	0.37 9.5	0.62 15.8	5/16"-18	480	510 58	7.30 3.3
2 1/2 65	6.18 157	2.56 65	5.00 127	3.39 86	9.65 245.1	4.02 102	0.75 19	1.14 29	0.47 12	0.75 19.1	5/16"-18	797	800 91	13.5 6.1
3 80	7.52 191	2.99 76	5.71 145	3.94 100	5.98 151.9	4.02 102	0.88 22.4	1.28 32.5	0.47 12	0.75 11.9	5/16"-18	1150	1100 125	25.3 11.5

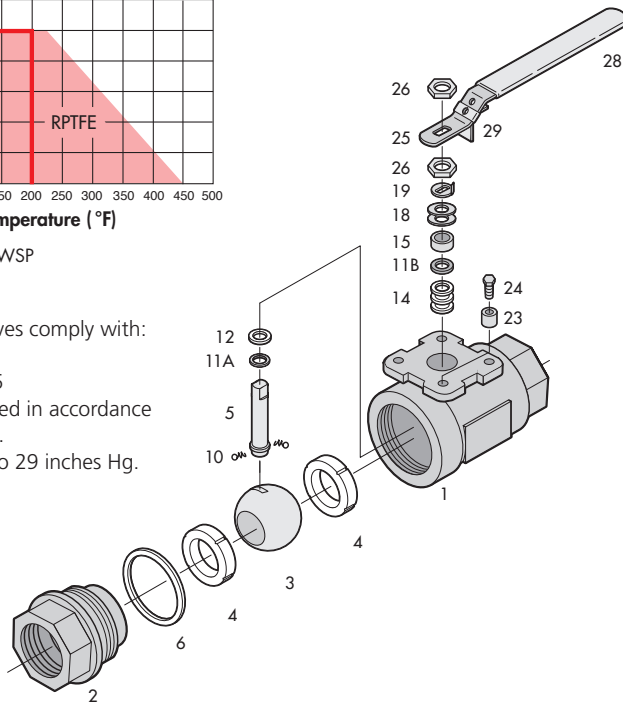
*Based on RPTFE seats at full rated pressure.

Pressure / Temperature



Steam Rating: 150 psi WSP

- All Series S85 valves comply with: MSS-SP 110 NACE MR0175
- All valves are tested in accordance with MSS-SP 110.
- Vacuum Service to 29 inches Hg.



Components & Materials

Item	Name	Material	Qty.
1	Body	ASTM A351 Gr CF8M	1
2	End Cap	ASTM A351 Gr CF8M	1
3	Ball	ASTM A351 Gr CF8M	1
4	Seat*	RPTFE	2
5	Stem	ASTM A479 Type 316	1
6	Body Seal*	RPTFE	1
10	Anti-Static Device	SS304	2
11 A/B	Thrust Bearing*	PEEK	1/1
12	Thrust Washer*	50% PTFE + 50% 316	1
14	Stem Packing*	PTFE/RPTFE	4
15	Packing Gland	SS304	1
18	Belleville Washer	SS301	2
19	Tab Lock Washer	SS304	1
23	Stop Set Sleeve	SS304	1
24	Stop Bolt	SS304	1
25	Handle	SS304	1
26	Nut	SS304	2
28	Handle Sleeve	Vinyl	1
29	Locking Device	SS300	1

*Parts included in the repair kits

Flow-Tek
Subsidiary of BRAY INTERNATIONAL, Inc.

8323 N. Eldridge Pkwy. #100
Houston, Texas 77041
Tel: 832.912.2300
Fax: 832.912.2301
bray.com/flow-tek

All statements, technical information, and recommendations in this bulletin are for general use only. Consult Flow-Tek representatives or factory for the specific requirements and material selection for your intended application. The right to change or modify product design or product without prior notice is reserved.

Flow-Tek® is a registered trademark of Bray International, Inc.

© 2018 Bray International All rights reserved. F-2200_S85_EN_01_2018