

**FLOW-TEK**

**SERIES F15/F30**

**METAL SEATED FLANGED SERIES**

2 PIECE FLANGED FULL PORT - 1/2" - 6" (DN 15 - 150)



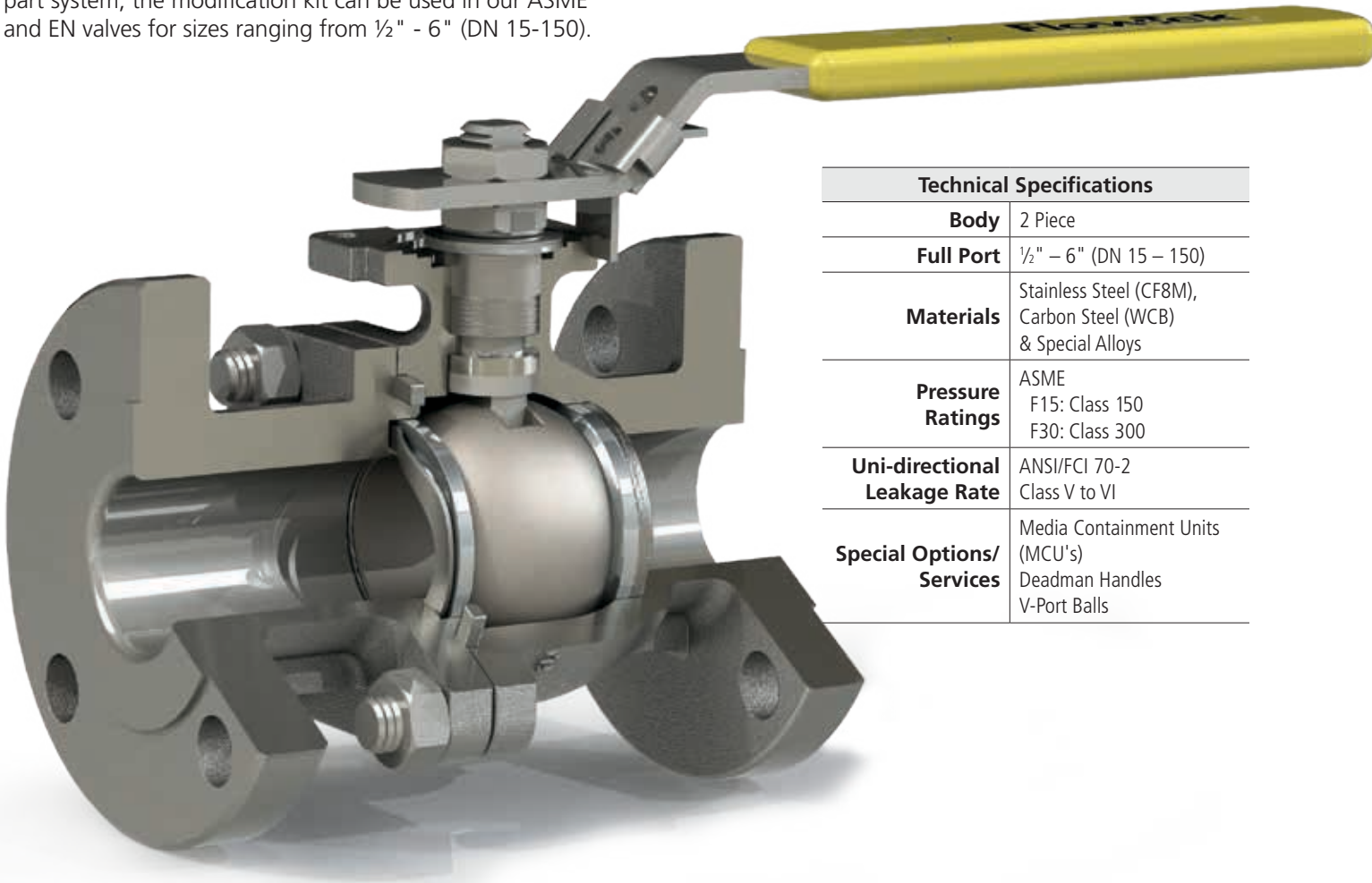
 **Bray**<sup>®</sup>

[WWW.BRAY.COM](http://WWW.BRAY.COM)

THE HIGH PERFORMANCE COMPANY

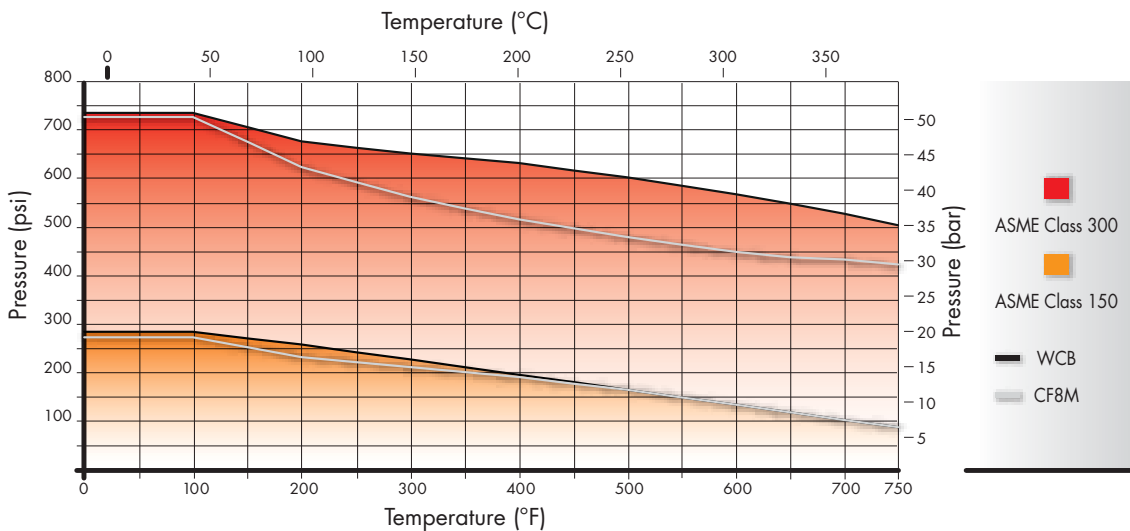
Flow-Tek, Inc. is proud to offer our uni-directional, metal seated design as an additional option to our soft seated full port flanged series. This option increases the temperature rating to 750°F (399°C) and enhances wear resistance, while maintaining the proven safety and reliability of existing Flow-Tek valves. With our modular, interchangeable part system, the modification kit can be used in our ASME and EN valves for sizes ranging from ½" - 6" (DN 15-150).

For specific valve dimensional data and Cv values please refer to F15/30 or F15 EN brochures which are available at [www.Flow-Tek.com](http://www.Flow-Tek.com).



Technical Specifications	
<b>Body</b>	2 Piece
<b>Full Port</b>	½" – 6" (DN 15 – 150)
<b>Materials</b>	Stainless Steel (CF8M), Carbon Steel (WCB) & Special Alloys
<b>Pressure Ratings</b>	ASME F15: Class 150 F30: Class 300
<b>Uni-directional Leakage Rate</b>	ANSI/FCI 70-2 Class V to VI
<b>Special Options/ Services</b>	Media Containment Units (MCU's) Deadman Handles V-Port Balls

### Pressure / Temperature



## Components and Materials

Item / Name	Stainless Steel	Carbon Steel	Qty.
1 Body	ASTM A351 Gr CF8M	ASTM A216 Gr WCB	1
2 End Cap	ASTM A351 Gr CF8M	ASTM A216 Gr WCB	1
3 Ball	ASTM A351 Gr CF8M/Chrome Carbide ASTM A351 Gr CF8M/Hard Chrome		1*
4A Upstream Seat	ASTM A351 Gr CF8M/Chrome Carbide ASTM A351 Gr CF8M/Stellite® 6		1*
4B Downstream Seat	ASTM A351 Gr CF8M/Chrome Carbide ASTM A351 Gr CF8M/Stellite® 6		1*
5 Stem	SS660 or 17-4 PH		1*
6 Body Seal	Spiral Wound (316/Graphite)		1*
7 Body Nut	ASTM A194 Gr 8	ASTM A194 2H	**
8 Body Stud	ASTM A193 B8	ASTM A193 B7	**
11 Thrust Washer	UNS S21800 (Nitronic® 60)		1*
14 Stem Packing	Graphite		1*
15 Packing Gland	ASTM A167 Type 304		1
18 Belleville Washer	SS301		2
19 Tab Lock Washer	SS304		1
23 Travel Stop Sleeve	ASTM A167 Type 304		1
24 Travel Stop Bolt	SS300		1
25 Handle	SS304/ Ductile Iron***		1
26 Lock Nut	ASTM A167 Type 304		2
28 Handle Sleeve	Vinyl through 2" [50mm]		1
29 Locking Device	SS304		1
44 Seat Seal	Graphite		1*
45 Wave Spring	17-7 or Inconel® 718		1*

\*Recommended spare parts that are available as a packaged repair kit.

\*\*Quantity depends on valve size.

\*\*\*Ductile iron used for valve sizes  $\geq 2\frac{1}{2}$ "

Inconel® is a registered trademark of Inco Alloys International, Inc.

Stellite® is a Registered trademark of Kennametal.

Nitronic® is a Registered trademark of AK Steel.

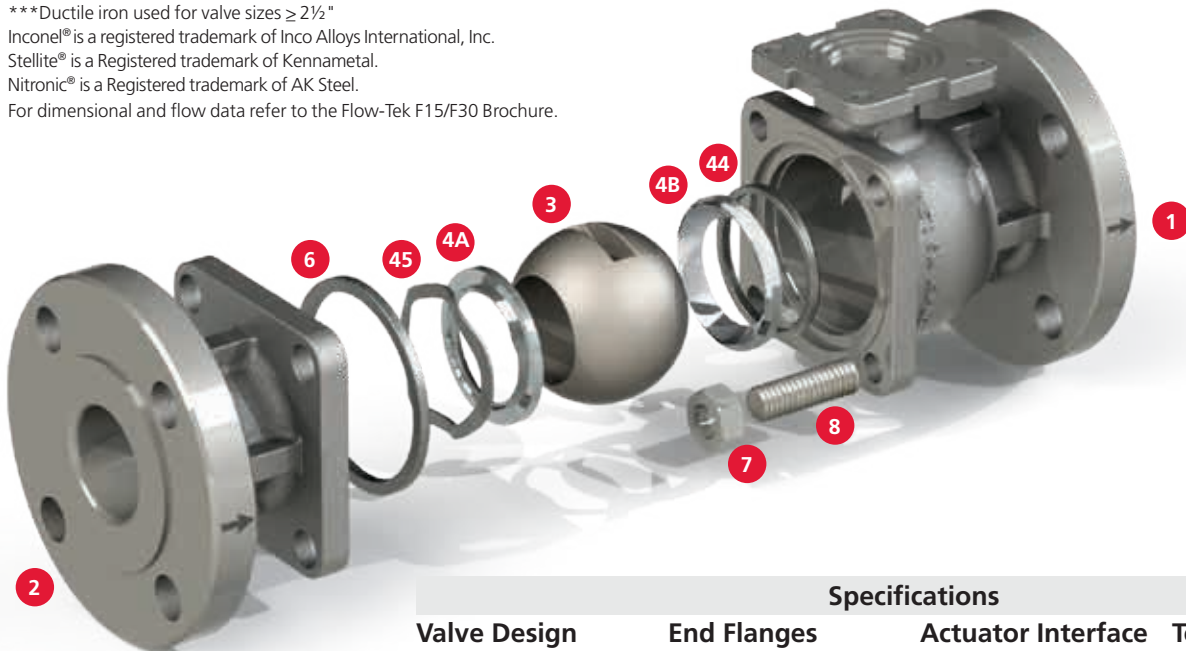
For dimensional and flow data refer to the Flow-Tek F15/F30 Brochure.



## Features

Mate-lapped ball and seat set utilizes a high performance coating that provides superior wear resistance, reduced torque, and an extended sealing surface life.

- Truly blowout proof, one-piece stem, constructed from high strength alloys.
- Wave spring generates precise loading of the ball/seat interface allowing for low torque operation, tight shutoff, and thermal expansion throughout the full range of valve operating conditions.
- Graphite seals offer high temperature sealing and broad spectrum chemical compatibility.
- Galling-resistant Nitronic® 60 thrust washer suitable for high temperature service.



## Specifications

### Valve Design

- ASME B16.34
- API 608
- MSS SP-72

### End Flanges

- ASME B16.5
- ### Face to Face
- ASME B16.10

### Actuator Interface

- ISO 5211

### Testing

- API 598
- MSS SP-61
- ANSI/FCI 70-2



BRAY FLOW CONTROL SOLUTIONS ARE AVAILABLE FOR A VARIETY OF INDUSTRIES.

**ENERGY**

Mining  
Oil & Gas  
Power / FGD  
Nuclear Power

**WATER**

Water / Wastewater  
Ultra Pure Water  
Desalination  
Irrigation

**INDUSTRIAL**

Chemical  
Pulp & Paper  
Textile  
Marine

**INFRASTRUCTURE**

Beverage & Food  
Transportation  
Heating, Ventilation & Air Conditioning (HVAC)



**US HEADQUARTERS**

**Bray International, Inc.**  
13333 Westland East Blvd.  
Houston, Texas 77041  
Tel: 281.894.5454

**CHINA HEADQUARTERS**

**Bray Controls (ZheJiang) Co. Limited**  
98 GaoXin # 6 Road  
XiaoShan Economic & Development Zone  
HangZhou, ZheJiang 311231, P.R. China  
Tel: 86 571 8285 2200

**EUROPE HEADQUARTERS**

**Bray Armaturen & Antriebe Europa**  
Halskestraße 25  
47877 Willich  
Germany  
Tel: +49 2154 8875-0

**INDIA HEADQUARTERS**

**Bray Controls India Pvt. Ltd.**  
Plot No. H-18 & H-19  
SIPCOT Industrial Park  
Vallam Vadagal, Echoor Post  
Sriperumbudur Taluk  
Kancheepuram District  
Tamil Nadu - 631 604  
Tel: +91-44-67170100



THE SMART CHOICE FOR FLOW CONTROL SINCE 1986.  
WITH MORE THAN 300 LOCATIONS WORLDWIDE,  
FIND A REPRESENTATIVE NEAR YOU AT [BRAY.COM](http://BRAY.COM)



All statements, technical information, and recommendations in this bulletin are for general use only. Consult Bray representatives or factory for the specific requirements and material selection for your intended application. The right to change or modify product design or product without prior notice is reserved. Patents issued and applied for worldwide.

Bray® is a registered trademark of Bray International, Inc.

© 2021 Bray International. All rights reserved.

F-2402\_EN\_MSF15/30\_2021-02