
3 & 4-WAY MULTI-PORT VALVES

FULL PORT | STANDARD PORT 1/4" - 12" BALL VALVES

ASME CL 150/300 (PN10 TO PN40) | 800/1000 PSI WOG (55 TO 69 BAR)



 **Bray**[®]

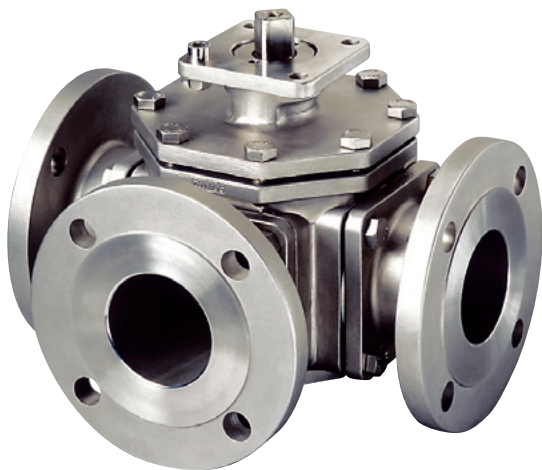
INTRODUCTION

Multi-port valves offer 3-way and 4-way flow control in both compact standard port and a block style full port bodies. Standard port valves feature NPT threaded or Quick Clamp end connections. Full port valves are available with NPT threaded, Quick Clamp, socket, butt weld, or flanged end connections. End connections can be mixed on a single valve. Many parts are fully interchangeable between models. Cost effective Multi-port Series ball valves feature multi-directional control combined with shutoff capacity in one valve. Valve duplication and the need for an extra shutoff valve are eliminated.

ADVANTAGES

All Multiport Series valves are:

- > Tested in accordance with ASME B16.34
- > Vacuum service to 29" Hg
- > Valve stems are blow-out proof for maximum safety and meet ASME B16.34 specifications
- > Valves conform to CE requirements



FEATURES AND BENEFITS

BODY MATERIALS

- > Stainless steel and carbon steel (standard)
- > Alloy materials optional

PACKING & SEALS

- > LIVE LOAD PACKING: MPF series valves all feature a dynamic live loaded stem packing using Belleville washers for maintenance free service.
- > 6-12" MPF series valves can be field-serviced to adjust packing glands without shutting down.
- > 1/2"-2" MPF valves feature primary o-ring and secondary adjustable gland stem seal in the upper stuffing box.

FOUR-SEAT DESIGN

- > Series MPF ball valves all feature a fourth seat that balances loads, reduces torque and maintains alignment of the ball as well as preventing body cavity leakage, ensuring bidirectional shutoff and control in one valve.

SEAT SELECTION

- > A wide range of seat materials are available to meet any application including TFM (Standard), RPTFE, PTFE, UHMWPE and Tek-Fil.

CAVITY FILLERS

- > Optional cavity fillers, available on 230/240 and 150/300 valves reduce media entrapment in the body cavity space between the ball and body.

INTERCHANGEABILITY

- > Many parts including balls, stems, seats, and stem and body seals are interchangeable between different models of the same size valve.

SECURE MOUNT

- > Series MPF valves feature a detachable cast ISO 5211 actuator mounting flange - even under full working pressure and adjustable travel stops depending on flow pattern arrangement.

BALL/STEM

- > 1/4"-2" valves feature a pinned stem connection while 2-1/2"-12" feature a one-piece stem and ball with trunnion mounting.
- > All stems offer blow-out proof protection.
- > Precision-machined mirror-finished balls ensure bubble-tight shutoff and low operating torque as well as blunted edges on ball ports to reduce seat wear and ensure long service life.

STANDARD APPLICATIONS

- > Mixing or blending of line medias
- > Diversion of flow to different locations
- > Bypass of flow around strainers, meters, heat exchangers, etc.
- > Direct flow out of or into storage tanks
- > Shutoff flow from different directions

T-PORT

	90°		180°
D			
E			
F			
G			
H			
I			
J			
K			

All T Port Flow Patterns are available from one standard ball and can be rearranged in the field. 180° will require new stop plate.

L-PORT

	90°		180°	
A				
B				

4-WAY

M			O		
N				P	

Optional patterns are available using T, L and standard ball. Please consult factory.

PRESSURE RATINGS

MPT130/MPC130

1/4" - 1-1/4" 1000 psi WOG

1-1/2" - 2" 800 psi WOG

MPT230/MPC230/MPS230/MPB230 MPT240/MPC240/MPS240/MPB240

1/4" - 1" 1000 psi WOG

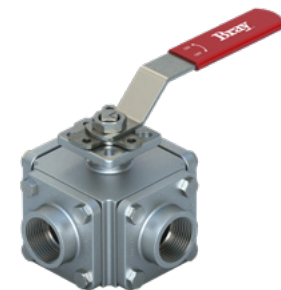
1-1/4" - 4" 800 psi WOG

MPF150

1/2" - 12" ASME Class 150

MPF300

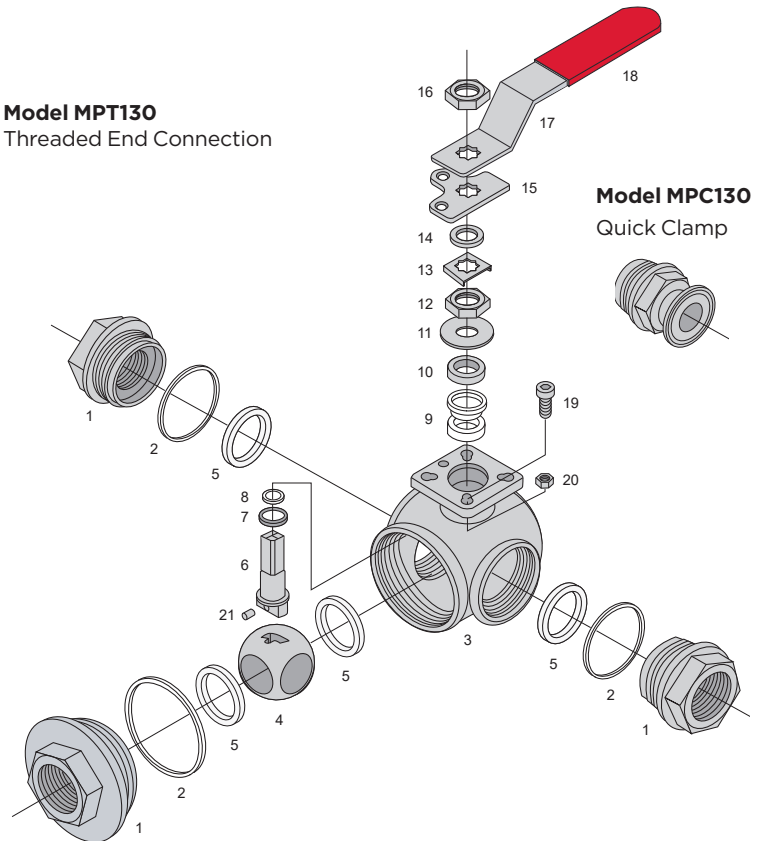
1/2" - 6" ASME Class 300



SPECIFICATIONS

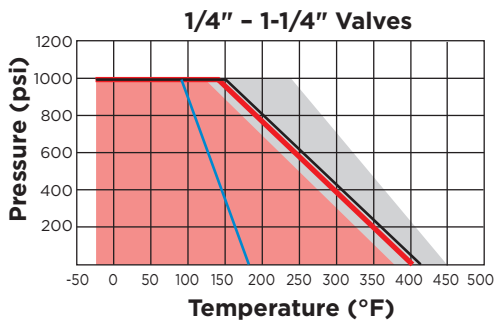
Valve Models	MPT130/MPC130
Size Range	1/4" - 2"
Body Material	Stainless Steel
Pressure Ratings	1/4" - 1-1/4": 1000 psi WOG 1-1/2" - 2": 800 psi WOG 1/4" - 2": 150 psi WSP
End Connections	MPT130: Threaded NPT Ends (meet ASME B1.20.1 NPT) MPC130: Quick Clamp Ends
Ports	Standard - 3 Way with L and T Ports
Testing	Tested in accordance to API598 & MSS SP61 standards. Each valve is tested before leaving the factory.

Model MPT130
Threaded End Connection

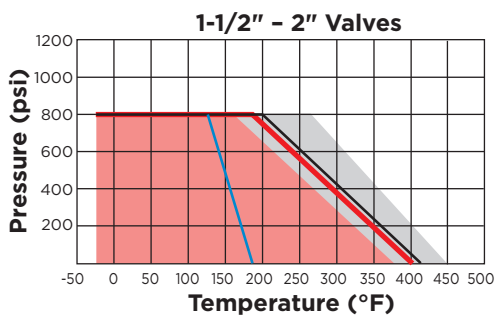


PRESSURE/TEMPERATURE

MPT130/MPC130 Series Valves



■ PTFE ■ Tek-Fil® ■ UHMWPE
■ RPTFE ■ TFM 1600



COMPONENTS & MATERIALS - Models MPT130/MPC130

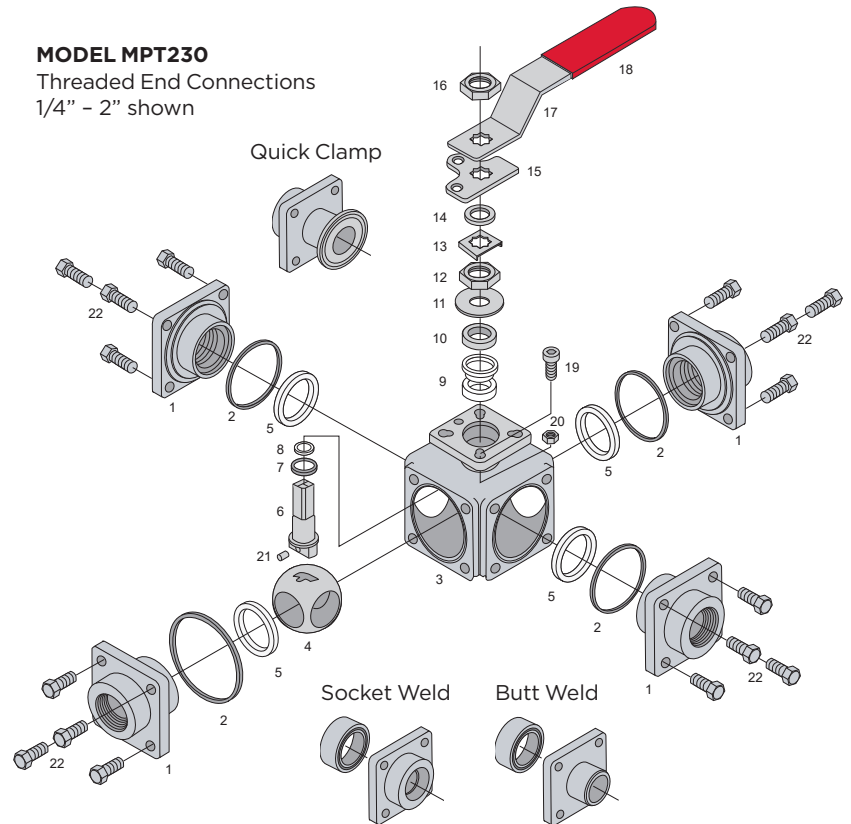
Item	Name	Stainless Steel	Qty.
1	End Cap	ASTM A351 Gr. CF8M	3
2	Gasket	TFM - 1600	3
3	Body	ASTM A351 Gr. CF8M	1
4	Ball*	SS316	1
5	Seat*	TFM - 1600	4
6	Stem*	316 SS	1
7	Thrust Washer*	RPTFE	1
8	O-ring*	Viton	1
9	Stem Packing*	PTFE	1
10	Gland	304 SS	1
11	Belleville Washer	301 SS	2
12	Stem Nut	304 SS	1
13	Lock Saddle	304 SS	1
14	Space Washer	304 SS	1
15	Stop Plate	304 SS	1
16	Handle Nut	304 SS	1
17	Handle	304 SS	1
18	Handle Sleeve	Vinyl	1
19	Stop Pin Bolt	304 SS	1
20	Stop Pin Nut	304 SS	1
21	Pin Insert	304 SS	1

* These parts are interchangeable with other Multiport models.

SPECIFICATIONS

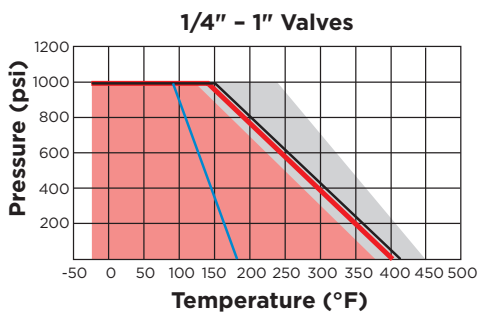
Valve Models	230 Models - 3 Way 240 Models - 4 Way
Size Range	1/4" - 4"
Body Material	Stainless Steel Carbon Steel
Pressure Ratings	1/4" - 1": 1000 psi WOG 1-1/4" - 4": 800 psi WOG 1/4" - 4": 150 psi WSP
End Connections	MPT230/240: Threaded NPT Ends (meets ASME B120.1 NPT) MPC230/240: Quick Clamp Ends MPS230/240: Socket Weld Ends MPB230/240: Butt Weld Ends
Ports	Full - 3-Way & 4-Way with L, T and LL Ports
Testing	Tested in accordance to API598 & MSS SP61 standards. Each valve is tested before leaving the factory.

MODEL MPT230 Threaded End Connections 1/4" - 2" shown

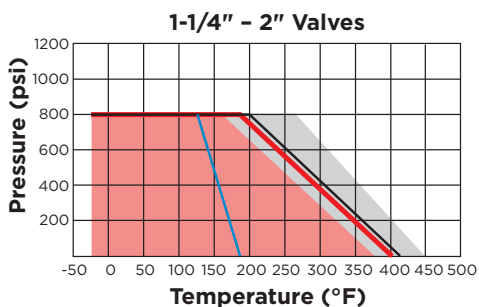


PRESSURE/TEMPERATURE

MPT230/MPC230/MPS230/MPB230
MPT240/MPC240/MPS240/MPB240



PTFE Tek-Fil® UHMWPE
RPTFE TFM 1600



COMPONENTS & MATERIALS

Item	Name	Stainless Steel	Carbon Steel	Qty.
1	End Cap	ASTM A351 Gr. CF8M	ASTM A216 Gr. WCB	4
2	Gasket**	TFM - 1600	TFM - 1600	4
3	Body	ASTM A351 Gr. CF8M	ASTM A216 Gr. WCB	1
4	Ball*	SS316	SS316	1
5	Seat*	TFM - 1600	TFM - 1600	4
6	Stem*	316 SS	316 SS	1
7	Thrust Washer*	RPTFE	RPTFE	1
8	O-ring*	Viton	Viton	1
9	Stem Packing*	PTFE	PTFE	1
10	Gland	304 SS	304 SS	1
11	Belleville Washer	301 SS	301 SS	2
12	Stem Nut	304 SS	304 SS	1
13	Lock Saddle	304 SS	304 SS	1
14	Space Washer	304 SS	304 SS	1
15	Stop Plate	304 SS	304 SS	1
16	Handle Nut	304 SS	304 SS	1
17	Handle	304 SS	304 SS	1
18	Handle Sleeve	Vinyl	Vinyl	1
19	Stop Pin Bolt	304 SS	304 SS	1
20	Stop Pin Nut	304 SS	304 SS	1
21	Pin Insert	304 SS	304 SS	1
22	Bolt (*1/4" - 2")	ASTM A193 Gr. B8	ASTM A193 Gr. B8	16
	Threaded Stud +	ASTM A193 Gr. B8	ASTM A193 Gr. B7	16
23	Hex Nut +	ASTM A194 Gr. B8	ASTM A194 Gr. 2H	16

*These parts are interchangeable with other Multiport models.

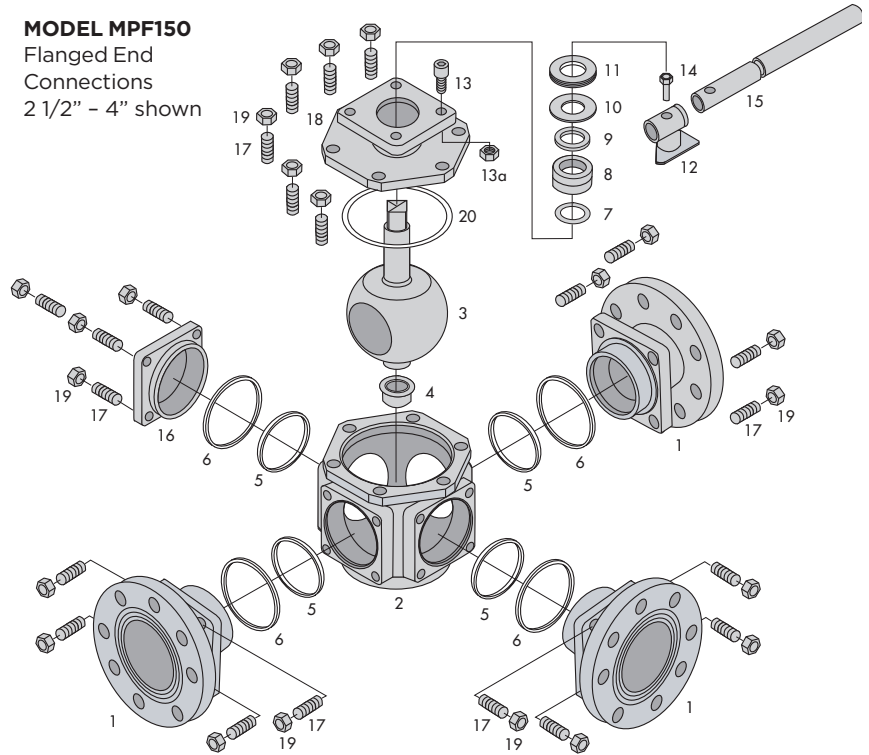
**These parts are interchangeable with MPF150/300 models.

+ (2 1/2" and up)

SPECIFICATIONS

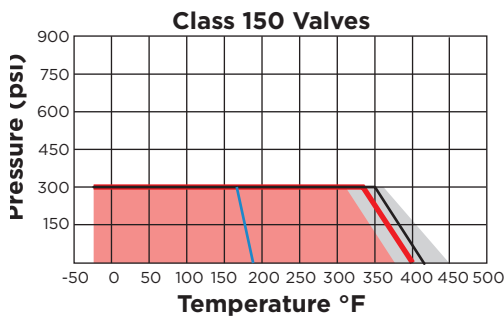
Valve Models	MPF150/MPF300
Size Range	MPF150: 1/2" - 12" MPF300: 1/2" - 6"
Body Material	Stainless Steel, Carbon Steel
Pressure Ratings	ASME 150: SS 275/WCB 285 psi ASME 300: SS 720/WCB 740 psi
End Connections	Flanged Ends per ASME B16.5
Ports	Full - 3-Way & 4-Way with L, T & LL Ports
Testing	Tested in accordance to API598 & MSS SP61 standards. Each valve is tested before leaving the factory.

MODEL MPF150 Flanged End Connections 2 1/2" - 4" shown

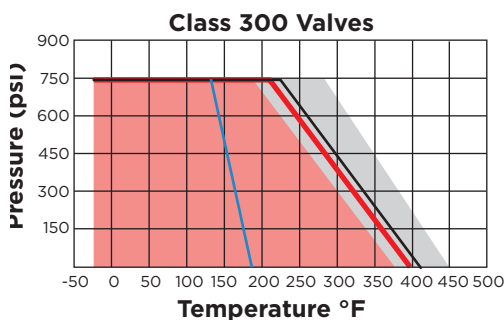


PRESSURE/TEMPERATURE

MPF150/MPF300 Series Valves



■ PTFE ■ Tek-Fil® ■ UHMWPE
■ RPTFE ■ TFM 1600



COMPONENTS & MATERIALS

Item	Name	Stainless Steel	Carbon Steel	Qty.
1	End Cap	ASTM A351 Gr. CF8M	ASTM A216 Gr. WCB	3
2	Body	ASTM A351 Gr. CF8M	ASTM A216 Gr. WCB	1
3	Ball & Stem**	SS316	SS316	1
4	Stem Bushing**	50% PTFE/50% 316SS	50% PTFE/50% 316SS	1
5	Seat*	TFM - 1600	TFM - 1600	4
6	Gasket**	TFM - 1600	TFM - 1600	4
7	O-ring*	Viton	Viton	1
8	Stem Packing*	TFM - 1600	TFM - 1600	1
9	Gland	304 SS	304 SS	1
10	Belleville Washer	301 SS	301 SS	2
11	Packing Nut	304 SS	304 SS	1
12	Handle T-Bar	ASTM A351 Gr. CF8	ASTM A351 Gr. CF8	1
13	Stop Pin Bolt	304 SS	304 SS	1
13a	Stop Pin Nut	304 SS	304 SS	1
14	Handle Bolt	304 SS	304 SS	1
15	Handle	Carbon Steel	Carbon Steel	1
16	Blank Cover	ASTM A351 Gr. CF8M	ASTM A216 Gr. WCB	1
17	Bolt (1/2"-2")	ASTM A193 Gr. B8	ASTM A193 Gr. B8	22/24
	Threaded Stud +	ASTM A193 Gr. B8	ASTM A193 Gr. B7	22/24
18	Bonnet	ASTM A351 Gr. CF8M	ASTM A216 Gr. WCB	1
19	Hex Nut +	ASTM A194 Gr 8	ASTM A194 Gr. 2H	22/24
20	Bonnet Gasket	PTFE	PTFE	1

*These parts are interchangeable with other Multiport models.

**These parts are interchangeable with 2 1/2"-4" MPT230/240 models.

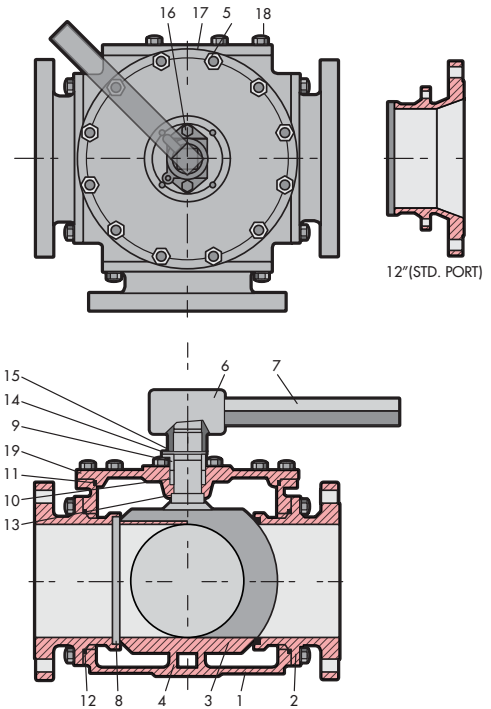
+ (2 1/2" and up)

SPECIFICATIONS

Valve Models	MPF150
Size Range	10" - 12"
Body Material	Stainless Steel, Carbon Steel
Pressure Ratings	ASME 150: SS 275 / WCB 285 psi
End Connections	Flanged Ends per ASME B16.5
Ports	Standard - 3 Way with L and T Ports
Testing	Tested in accordance to API598 & MSS SP61 standards. Each valve is tested before leaving the factory.

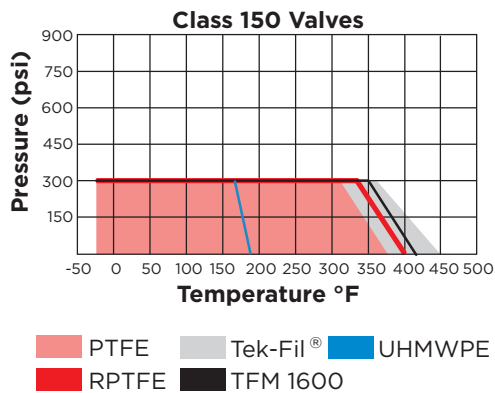
MODEL MPF150

Flanged End Connections
10" - 12" shown



PRESSURE/TEMPERATURE

MPF150



COMPONENTS & MATERIALS

Item	Name	Stainless Steel	Carbon Steel	Qty.
1	Body	ASTM A351 Gr. CF8M	ASTM A216 Gr. WCB	1
2	End Cap	ASTM A351 Gr. CF8M	ASTM A216 Gr. WCB	3
3	Trunion Ball	SS316	SS316	1
4	Bushing	TFM 1600	TFM 1600	1
5	Top Cap Stud & Nut	A193 Gr. B8 A194 Gr. 8	A193 Gr. B7 A194 Gr. 2H	8* 12† 16‡
6	Handle T-Bar	ASTM 65-45-12	ASTM 65-45-12	1
7	Lever	Carbon Steel	Carbon Steel	1
8	Seat	TFM 1600	TFM 1600	4
9	Gland	ASTM A351 Gr. CF8	ASTM A216 Gr. WCB	1
10	Stem Packing	TFM 1600	TFM 1600	1
11	Top Cap Gasket	TFM 1600	TFM 1600	1
12	Joint Gasket	TFM 1600	TFM 1600	4
13	O-Ring	Viton	Viton	1
14	Stopper	304 SS	304 SS	1
15	Lock Saddle	304 SS	304 SS	1
16	Gland Bolt	ASTM A193 Gr. B8	ASTM A193 Gr. B7	2
17	Blank End Cap	ASTM A351 Gr. CF8M	ASTM A216 Gr. WCB	1
18	End Cap Stud & Nut	A193 Gr. B8 A194 Gr. 8	A193 Gr. B7 A194 Gr. 2H	32† 40‡
19	Top End Cap	ASTM A351 Gr. CF8M	ASTM A216 Gr. WCB	1

* Valve Sizes - 5"

† Valve Sizes - 6"-8"

‡ Valve Sizes - 10"-12"

DIMENSIONS - MODELS MPT130/MPC130

SIZE ins mm	A 150	A1 300	øB	C	C1	D	E	F	G	H	H1	H2	H3	øI	øJ	K	L	M	Torque lbs-in Nm
1/4	2.83	—	0.43	1.42	—	5.12	2.44	1.48	0.43	—	—	—	—	1.42	1.65	0.35	0.24	0.24	127
8	72	—	11	36	—	130	62	37.5	11	—	—	—	—	36	42	9	6	6	14.3
3/8	2.83	—	0.43	1.42	—	5.12	2.44	1.48	0.43	—	—	—	—	1.42	1.65	0.35	0.24	0.24	127
10	72	—	11	36	—	130	62	37.5	11	—	—	—	—	36	42	9	6	6	14.3
1/2	2.83	5.24	0.47	1.42	2.62	5.12	2.44	1.48	0.43	0.47	0.38	0.85	0.98	1.42	1.65	0.35	0.24	0.24	127
15	72	133	12	36	66.5	130	62	37.5	11	12	9.6	21.7	25	36	42	9	6	6	14.3
3/4	3.27	5.59	0.59	1.63	2.80	5.12	2.52	1.65	0.43	0.47	0.62	0.85	0.98	1.42	1.65	0.35	0.24	0.24	170
20	83	142	15	41.5	71	130	64	42	11	12	15.8	21.7	25	36	42	9	6	6	19.2
1	3.90	6.30	0.79	1.95	3.15	6.50	3.23	1.93	0.55	0.79	0.87	1.71	1.98	1.65	1.97	0.43	0.24	0.28	212
25	99	160	20	49.5	80	165	82	49	14	20	22.1	43.5	50.4	42	50	11	6	7.1	24.0
1-1/4	4.41	—	0.98	2.20	—	6.50	3.50	2.17	0.55	—	—	—	—	1.65	1.97	0.43	0.24	0.28	383
32	112	—	25	56	—	165	89	55	14	—	—	—	—	42	50	11	6	7.1	43.3
1-1/2	4.92	7.17	1.26	2.46	3.58	8.07	3.86	2.48	0.71	1.26	1.37	1.71	1.98	1.97	2.76	0.55	0.28	0.36	563
40	125	182	32	62.5	91	205	98	63	18	32	34.8	43.5	50.4	50	70	14	7.1	9.2	63.6
2	5.87	8.50	1.50	2.93	4.25	8.07	4.25	2.91	0.71	1.50	1.87	2.22	2.52	1.97	2.76	0.55	0.28	0.36	690
50	149	216	38	74.5	108	205	108	74	18	38	47.5	56.5	63.9	50	70	14	7.1	9.2	78.0

Torque at maximum rated pressure, clean water, TFM seating material.

CV - MODEL MPT130

SIZE ins mm	1/4 8	3/8 10	1/2 15	3/4 20	1 25	1-1/4 32	1-1/2 40	2 50
90°	0.64	1.4	3.8	7.4	14	22	28	60
180°	0.9	1.9	4.9	9.4	18	27	48	76

WEIGHT - MODELS MPF150 (4-WAY, T PORT)

SIZE ins mm	1/4 8	3/8 10	1/2 15	3/4 20	1 25	1-1/4 32	1-1/2 40	2 50
lbs	1.5	1.5	1.5	1.9	3.4	4.8	7.5	11.6
Kg	0.7	0.7	0.7	0.9	1.5	2.2	3.4	5.3

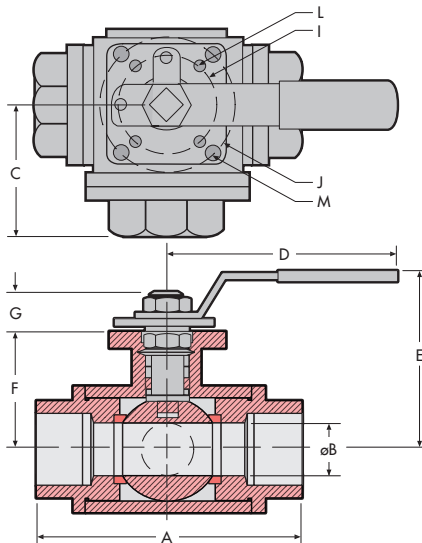
CV - MODEL MPC130

SIZE ins mm	1/4 8	3/8 10	1/2 15	3/4 20	1 25	1-1/4 32	1-1/2 40	2 50
90°	—	—	1.8	4.6	15	—	40	53
180°	—	—	2.4	5.8	20	—	55	67

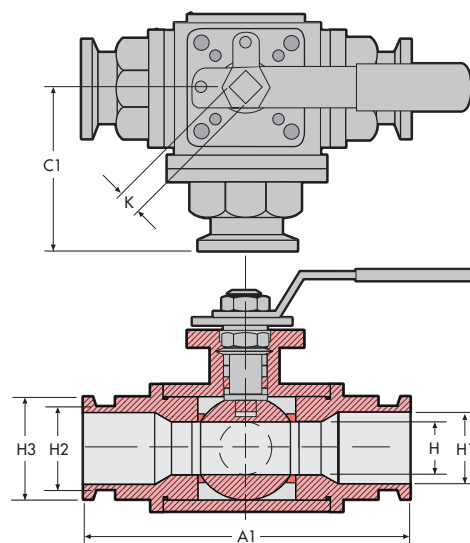
WEIGHT - MODELS MPF300 (4-WAY, T PORT)

SIZE ins mm	1/4 8	3/8 10	1/2 15	3/4 20	1 25	1-1/4 32	1-1/2 40	2 50
lbs	—	—	2.0	2.3	4.3	—	8.4	14.1
Kg	—	—	0.9	1.0	1.9	—	3.8	6.4

MPT130



MPC130



DIMENSIONS - MODELS MPT/MPC/MPS/MPB - CLASSES 230/240

SIZE ins (mm)	A* 150	A1 300	øB	C*	C1	D	E	F	G	H	H1	H2	H3	øI	øJ	K	L	M	Torque lbs-in Nm
1/4	3.46	—	0.43	1.73	—	5.12	2.44	1.52	0.43	—	—	—	—	1.42	1.65	0.35	0.24	0.24	160
8	88	—	11	44	—	130	62	38.5	11	—	—	—	—	36	42	9	6	6	18.1
3/8T	3.46	5.24	0.43	1.73	2.62	5.12	2.44	1.52	0.43	0.47	0.38	0.85	0.98	1.42	1.65	0.35	0.24	0.24	160
1/2C	88	133	11	44	66.5	130	62	38.5	11	12	9.6	21.7	25	36	42	9	6	6	18.1
1/2T	4.13	5.59	0.59	2.07	2.80	5.12	2.52	1.61	0.43	0.59	0.62	0.85	0.98	1.42	1.65	0.35	0.24	0.24	180
3/4C	105	142	15	52.5	71	130	64	41	11	15	15.8	21.7	25	36	42	9	6	6	20.3
3/4T	4.41	—	0.79	2.19	—	6.50	3.23	1.93	0.55	—	—	—	—	1.65	1.97	0.43	0.24	0.28	234
20	112	—	20	55.5	—	165	82	49	14	—	—	—	—	42	50	11	6	7.1	26.4
1	5.04	6.30	0.98	2.52	3.15	6.50	3.50	2.17	0.55	0.98	0.87	1.71	1.98	1.65	1.97	0.43	0.24	0.28	425
25	128	160	25	64	80	165	89	55	14	25	22.1	43.5	50.4	42	50	11	6	7.1	48
1-1/4	5.51	—	1.25	2.76	—	8.07	3.86	2.48	0.71	—	—	—	—	1.97	2.76	0.55	0.28	0.36	637
32	140	—	31.8	70	—	205	98	63	18	—	—	—	—	50	70	14	7.1	9.2	72
1-1/2	6.30	7.17	1.50	3.15	3.58	8.07	4.25	2.91	0.71	1.5	1.37	1.71	1.98	1.97	2.76	0.55	0.28	0.32	722
40	160	182	38	80	91	205	108	74	18	38	34.8	43.5	50.4	50	70	14	7.1	9.2	82
2	7.56	8.50	1.97	3.78	4.25	12.80	5.51	3.66	0.91	1.97	1.87	2.22	2.52	2.76	4.02	0.67	0.36	0.45	855
50	192	216	50	96	108	325	140	93	23	50	47.5	56.5	63.9	70	102	17	9.2	11.4	100
2-1/2	11.57	9.50	2.44	5.79	4.75	15.75	7.87	4.69	0.98	2.44	2.37	2.78	3.05	4.02	—	0.87	0.43	—	1487
65	294	241.3	62	147	120.7	400	200	119	25	62	60.2	70.6	77.4	102	—	22	11	—	168
3	12.48	11.00	2.99	6.24	5.50	19.69	8.27	5.39	0.98	2.99	2.87	3.28	3.58	4.02	—	0.87	0.43	—	2656
80	317	279.4	76	158.5	139.7	500	210	137	25	76	72.9	83.3	91	102	—	22	11	—	300
4	14.53	13.00	3.78	7.26	6.50	25.59	9.06	6.18	0.98	3.78	3.83	4.34	4.69	4.02	—	0.87	0.43	—	3398
100	369	330.2	96	184.5	165.1	650	230	157	25	96	97.4	110.3	119	102	—	22	11	—	384

Torque at maximum rated pressure, clean water, TFM seating material.

CV - MODELS MPT/MPS/MPB - 230 & 240

SIZE ins mm	1/4 8	3/8 10	1/2 15	3/4 20	1 25	1-1/4 32	1-1/2 40	2 50	2-1/2 65	3 80	4 100
90°	0.64	1.4	8.1	15	24	40	65	106	171	255	409
180°	0.9	1.9	11	21	33	54	92	147	240	356	561

CV - MODELS MPC - 230 & 240

SIZE ins mm	1/4 8	3/8 10	1/2 15	3/4 20	1 25	1-1/4 32	1-1/2 40	2 50	2-1/2 65	3 80	4 100
90°	—	—	1.8	8.2	14	—	40	85	147	214	458
180°	—	—	2.4	11	19	—	54	117	205	296	652

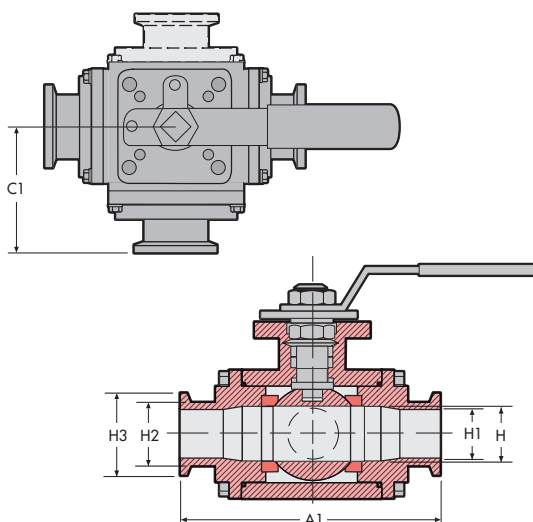
WEIGHT - Models MPT/MPS/MPB - 230 (L Port)

SIZE ins mm	1/4 8	3/8 10	1/2 15	3/4 20	1 25	1-1/4 32	1-1/2 40	2 50	2-1/2 65	3 80	4 100
lbs	2.9	2.9	4.5	5.8	8.2	12.1	18.6	33.9	45.6	60.3	109.7
Kg	1.3	1.3	2.0	2.6	3.7	5.5	8.4	15.4	20.7	27.3	49.7

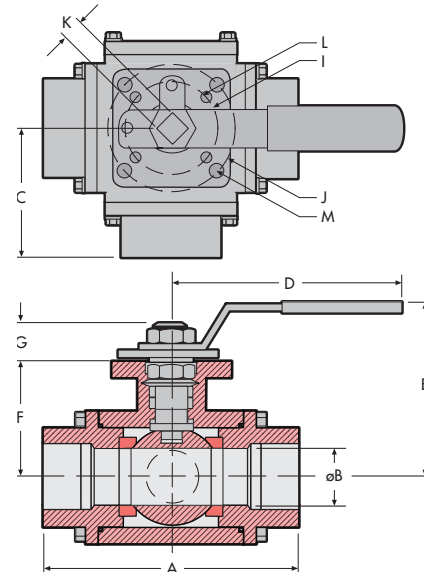
WEIGHT - Model MPC230 (L Port)

SIZE ins mm	1/4 8	3/8 10	1/2 15	3/4 20	1 25	1-1/4 32	1-1/2 40	2 50	2-1/2 65	3 80	4 100
lbs	—	—	3.0	5.9	9.6	—	18.9	33.8	44.6	58.1	105
Kg	—	—	1.4	2.7	4.4	—	8.6	15.3	20.3	26.4	47.6

MPC230 - 1/2" - 2" shown



MPT/MPS/MPB - 230* - 1/4" - 2" shown



DIMENSIONS - MODEL MPF - CLASSES 150/300

SIZE ins (mm)	A 150	A1 300	øB	D	E	F	G	øH	øI*	J	K	L*	MPF150 Flange Dimensions				MPF300 Flange Dimensions			
													M	N	S	T	M1	N1	S1	T1
1/2	5.98	6.30	0.59	5.12	2.44	1.61	0.43	1.42	1.65	0.35	0.24	0.24	3.50	4	2.38	0.63	3.75	4	2.62	0.63
15	152	160	15	130	62	41	11	36	42	9	6	6	89		60.5	16	95		66.5	16
3/4	6.57	6.97	0.79	6.50	3.23	1.93	0.55	1.65	1.97	0.43	0.24	0.28	3.88	4	2.75	0.63	4.62	4	3.25	0.75
20	167	177	20	165	82	49	14	42	50	11	6	7.1	98.5		69.8	16	117		82.5	19
1	7.48	7.87	0.98	6.50	3.50	2.17	0.55	1.65	1.97	0.43	0.24	0.28	4.25	4	3.12	0.63	4.88	4	3.50	0.75
25	190	200	25	165	89	55	14	42	50	11	6	7.1	108		79.2	16	124		89	19
1-1/4	8.19	8.19	1.26	8.07	3.86	2.48	0.71	1.97	2.76	0.55	0.28	0.36	4.62	4	3.50	0.63	5.25	4	3.88	0.75
32	208	208	32	205	98	63	18	50	70	14	7.1	9.2	117		89	16	133		98.5	19
1-1/2	8.66	9.21	1.50	8.07	4.25	2.91	0.71	1.97	2.76	0.55	0.28	0.36	5.00	4	3.88	0.63	6.12	4	4.50	0.87
40	220	234	38	205	108	74	18	50	70	14	7.1	9.2	127		98.5	16	155		114	22
2	9.96	10.75	1.97	12.80	5.51	3.66	0.91	2.76	4.02	0.67	0.36	0.45	6.00	4	4.75	0.75	6.50	8	5.00	0.75
50	253	273	50	325	140	93	23	70	102	17	9.2	11.4	152		120.6	19	165		127	19
2-1/2	11.81	11.81	2.44	15.75	7.87	4.69	0.98	4.02	-	0.87	0.43	-	7.00	4	5.50	0.75	7.50	8	5.88	0.88
65	300	300	62	400	200	119	25	102		22	11		177.8		139.7	19	190.5		149.4	22.4
3	12.01	13.01	2.99	19.69	8.27	5.39	0.98	4.02	-	0.87	0.43	-	7.50	4	6.00	0.75	8.25	8	6.62	0.88
80	305	330.4	76	500	210	137	25	102		22	11		190.5		152.4	19	209.6		168.2	22.4
4	14.51	15.49	3.78	25.59	9.06	6.18	0.98	4.02	-	0.87	0.43	-	9.00	8	7.50	0.75	10.00	8	7.88	0.88
100	368.5	393.5	96	650	230	157	25	102		22	11		228.6		190.5	19	254		200.2	22.4
6	16.81	18.43	5.91	47.24	15.55	6.30	2.44	4.92	-	1.42	M12	-	11.00	8	9.51	0.87	12.5	12	10.62	0.88
150	427	468.1	150	1200	395	160	62	125	-	36	M12	-	279.3	8	241.50	22	317.50	12	269.80	22.4
8	20.94	-	7.87	59.06	19.69	7.91	2.44	4.92	-	1.42	M12	-	13.5	8	11.75	0.87	15.00	12	13.00	1
200	532	-	200	1500	500	201	62	125	-	36	M12	-	343	8	298.45	22	381	12	330.20	25.4

*Outer mounting bolt circle (I) and hole diameter (L) for 1/2"-2" valves not shown in drawing.

TORQUE - MODELS MPF150/MPF300

SIZE ins mm	1/2 15	3/4 20	1 25	1-1/4 32	1-1/2 40	2 50	2-1/2 65	3 80	4 100	6 150	8 200
lbs-in	124	159	301	381	513	885	1239	2213	2830	6000	8000
Nm	14	18	34	43	58	100	140	250	320	678	904

Torque at maximum rated pressure, clean water, TFM seating material.

CV - MODELS MPF150/MPF300

SIZE ins mm	1/2 15	3/4 20	1 25	1-1/4 32	1-1/2 40	2 50	2-1/2 65	3 80	4 100	6 150	8 200
90°	8.1	15	24	40	65	106	171	255	409	1083	2007
180°	11	21	33	54	92	147	240	356	561	1509	2817

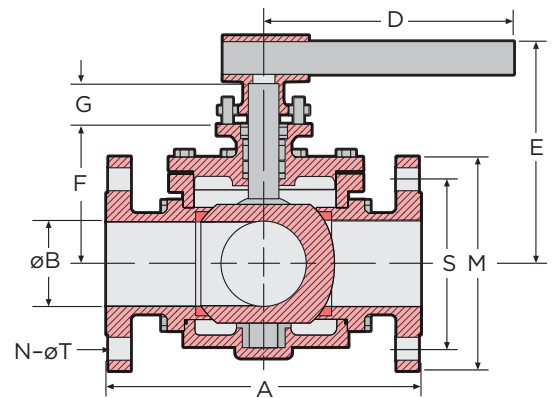
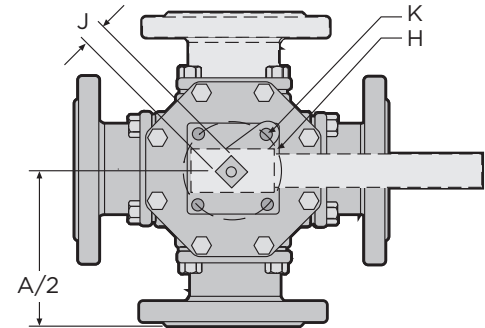
WEIGHT - MODELS MPF150 (4-Way, T Port)

SIZE ins mm	1/2 15	3/4 20	1 25	1-1/4 32	1-1/2 40	2 50	2-1/2 65	3 80	4 100	6 150	8 200
lbs	8.7	10.3	14.9	20.8	30.3	51.3	70.1	88.4	160.5	290.4	543
Kg	3.9	4.7	6.7	9.4	13.7	23.3	31.8	40.1	72.8	131.7	246.3

WEIGHT - MODELS MPF300 (4-Way, T Port)

SIZE ins mm	1/2 15	3/4 20	1 25	1-1/4 32	1-1/2 40	2 50	2-1/2 65	3 80	4 100	6 150
lbs	11.2	16	21.8	29.1	42.9	61	86.4	108.3	184.2	456.2
Kg	5.1	7.3	9.9	13.2	19.5	27.7	39.2	49.1	83.6	206.9

MPF150/MPF300 - 2-1/2" - 8" shown



DIMENSIONS - MODEL MPF - CLASS 150

SIZE ins (mm)	øD	øD2	øD3	øC	øF	A	B1	E	H	M	N	S
10	9.76	14.25	16	M16	5.51	12.99	1.69	78.74	15.55	1	12	1.19
250	248	362	406.4	M16	140	330	43	2000	395	25.4	12	30.2
12	11.81	17.01	19.02	M20	6.5	16.26	2.76	78.74	19.69	1.02	12	1.28
300	300	432	483	M20	165	413	70	2000	500	26	12	32.5

TORQUE - MODEL MPF - CLASS 150

SIZE ins mm	10 250	12 300
Lbs-In	9346	9346
Nm	1056	1056

WEIGHT - MODEL MPF - CLASS 150

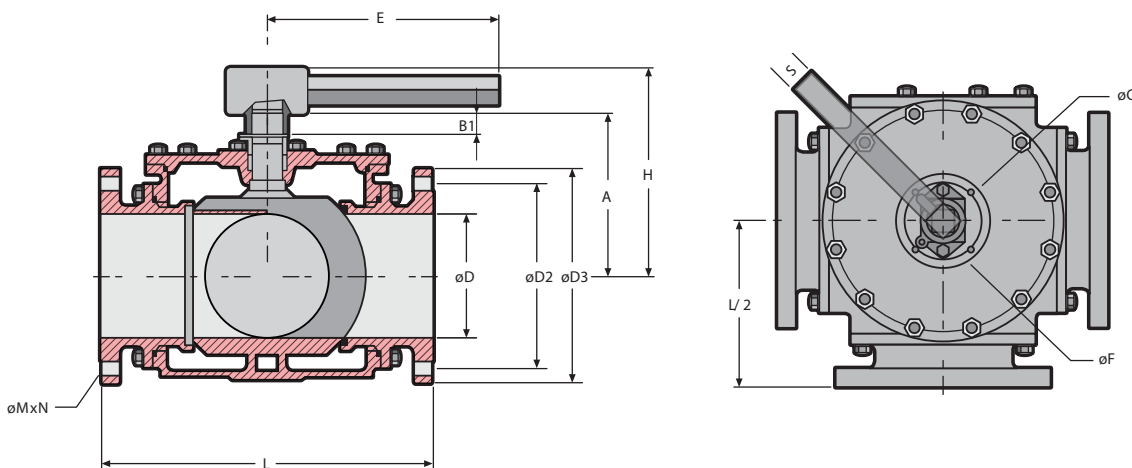
SIZE ins mm	10 250	12 300
lbs	765	806.9
Kg	347	366

Torque at maximum rated pressure, clean water, TFM seating material.

CV - MODEL MPF - CLASS 150

SIZE ins mm	10 250	12 300
90°	2700	2700
180°	3780	3780

MPF150 - 10" - 12" shown



SINCE 1986, BRAY HAS PROVIDED FLOW CONTROL SOLUTIONS FOR A VARIETY OF INDUSTRIES AROUND THE WORLD.

VISIT **BRAY.COM** TO LEARN MORE ABOUT BRAY PRODUCTS AND LOCATIONS NEAR YOU.

HEADQUARTERS

Bray International, Inc.

13333 Westland East Blvd.

Houston, Texas 77041

Tel: +1.281.894.5454

All statements, technical information, and recommendations in this bulletin are for general use only. Consult Bray representatives or factory for the specific requirements and material selection for your intended application. The right to change or modify product design or product without prior notice is reserved. Patents issued and applied for worldwide. Bray® is a registered trademark of Bray International, Inc.

© 2026 BRAY INTERNATIONAL, INC. ALL RIGHTS RESERVED. BRAY.COM

F2500_Multi Port Ball Valves 20260518



THE HIGH PERFORMANCE COMPANY

BRAY.COM