
SERIES 767

BRAY SLURRYSHIELD® BIDIRECTIONAL HIGH PRESSURE KNIFE GATE VALVES

3" to 36"



 **Bray**[®]

BRAY.COM

THE HIGH PERFORMANCE COMPANY

FEATURES & BENEFITS

DESIGN FEATURES

Series 767 is a bidirectional high pressure slurry valve, designed for demanding high pressure slurry applications. Twin elastomer sleeves and push-through gate design facilitate self-cleaning and prevent media build up.

The cast WCB body is offered in a two-piece bolted wafer style. When fully open, the valve bore, offers no resistance to line media.

- 1 Protective stem cover is standard increasing cycle life in hazardous environments.
- 2 J-ring steel-reinforced, elastomer sleeves provide energized, zero leakage shutoff in both directions. Retaining rings included as standard throughout the entire size range.
- 3 In the open position, the energized sleeves shield all metal components from direct contact with the flowing process media.
- 4 Robust gate available in a wide range of corrosion resistant alloys to suit the application.
- 5 The design provides unobstructed flow path, extending sleeve life and minimizing pressure drop across valve.
- 6 Ample clearance for push-through allows complete gate closure.
- 7 Two-piece bolted wafer body allows for easy maintenance and is drilled and tapped to ASME B16.5 CL300 flange patterns as standard. Other drilling options available upon request.
- 8 Bottom flush plate with tapped ports or drain bucket are available allowing for safe discharge of media and easy flush water connection.



Series 767 Bidirectional High Pressure Slurry Valve

INDUSTRY APPLICATIONS

- Mining
- Pulp & Paper
- General Industry
- Power
- Chemical
- Cement

STANDARD CONSTRUCTION

Body	WCB
Gate	316 2205 17-4 PH
Sleeve	Natural Rubber
Stem	304
Gland Plate	Carbon Steel
Secondary Seal	EPDM
Topworks	Steel

TECHNICAL SPECIFICATIONS

Size Range	NPS 3 to 36 DN 80 to 900			
Body Style	Two-Piece Bolted Wafer			
Pressure Rating	SS 316 Gate	Duplex 2205 Gate	Duplex 2205 Gate	17-4PH Gate
	3-10 300psi	10-36 450psi	3-8 740 psi	10-36 740psi
	80-250mm 20 bar	250-900mm 30 bar	80-200mm 51bar	250-900mm 51 bar
Drilling	ASME B16.5 CL300			
Face to Face	Per Industry Standard			
Certification	Canadian CRN PED Category I Module A (Group 2 Liquids)			
Design Standard	Manufacturer Standard			
Testing Standard	Manufacturer Standard			

NOTE ¹ F767 valves are elastomer sleeved slurry valves and MSS SP-81 and MSS SP-151 does not apply. The valves are tested for bi-directional, zero leakage across the sleeves.

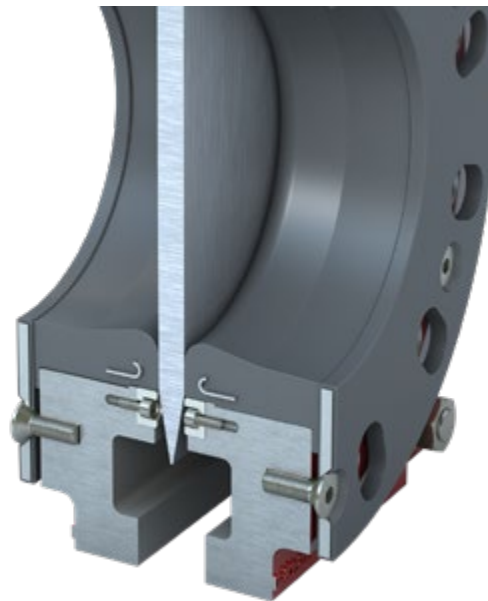
GATE OPTIONS

- 304, 317 Stainless Steel
- SAF 2507 Duplex
- SAF 2205 Duplex
- 17-4PH Stainless Steel
- Hastelloy[®] C
- Monel[®]

BODY OPTIONS

- CF8M Stainless Steel
- CF3M Stainless Steel
- SAF 2205 Duplex
- SAF 2507 Duplex

SLEEVE OPTIONS



Natural Rubber	-60 to 165°F -51 to 74°C
EPDM*	-65 to 248°F -54 to 120°C

* Exposure to continuous elevated temperatures will result in premature aging of the elastomer.
¹ Do not operate the valve if the media in the line is frozen.

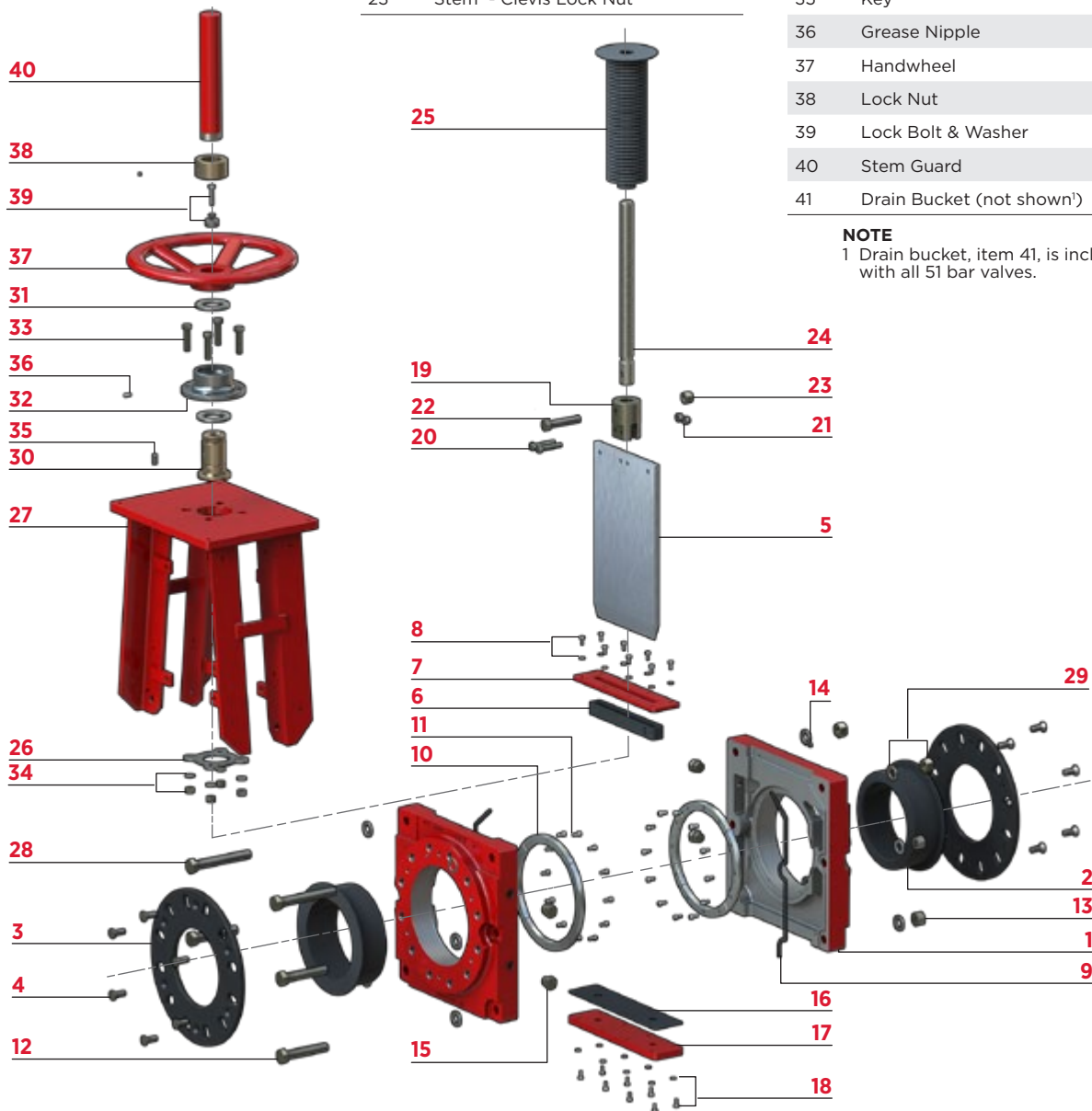
MATERIALS OF CONSTRUCTION

BILL OF MATERIALS & PARTS CALL OUT

Item	Description
1	Body
2	Sleeve
3	Sleeve Retainer
4	Sleeve Retainer Screws
5	Gate
6	Secondary Seal
7	Gland Plate
8	Gland Plate Fasteners & Washers
9	Body O-Ring
10	Gate Support
11	Gate Support Mounting Screws

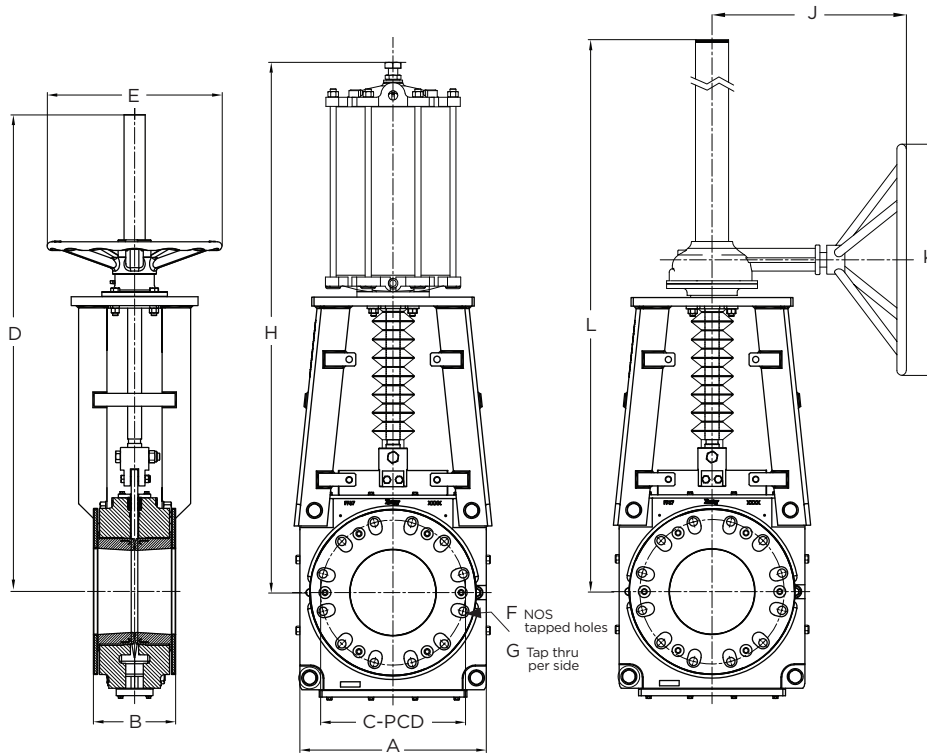
Item	Description
12	Body Mounting Bolt & Washer
13	Body Mounting Nut & Washer
14	Plug - Grease Injection Port
15	Plug- Flushing Port
16	Drain Plate Gasket (optional)
17	Drain Plate (optional)
18	Drain Plate Fasteners & Washers (opt.)
19	Clevis
20	Gate - Clevis Bolt
21	Gate - Clevis Lock Nut
22	Stem - Clevis Bolt
23	Stem - Clevis Lock Nut

Item	Description
24	Stem
25	Bellows
26	Bellows Flange
27	Superstructure/Tower Assembly
28	Tower Mounting Bolts
29	Tower Mounting Nuts & Washers
30	Stem Nut
31	Thrust Bearings
32	Handwheel Assembly Housing
33	Housing Mounting Bolts & Washers
34	Housing Mounting Nuts & Washers
35	Key
36	Grease Nipple
37	Handwheel
38	Lock Nut
39	Lock Bolt & Washer
40	Stem Guard
41	Drain Bucket (not shown')



NOTE

1 Drain bucket, item 41, is included with all 51 bar valves.



Direct Mounted Handwheel

Pneumatic Actuator

Bevel Gear

NOTE

- 1 Consult factory for hydraulic and electric actuator dimensions.
- 2 Dimensions are approximate and subject to change. Consult factory for certified drawings.

* In conformance with ASME B16.5, Class 300 for sizes NPS 3 (DN80) through NPS 24 (DN600)

DIMENSIONS (Inches)											
NPS	A	B	CPCD	D	ØE	F	G	H	J	K	L
3	10.23	6.88	6.62	27.36	11.81	8	3/4"-10	32.43	8.86	11.81	28.34
4	11.81	6.88	7.87	31.10	11.81	8	3/4"-10	36.64	8.86	11.81	31.88
6	14.17	7.28	10.62	38.58	15.75	12	3/4"-10	45.27	9.45	11.81	36.61
8	16.73	7.28	13.00	42.91	15.75	12	7/8"-9	54.65	9.45	19.69	43.30
10	19.68	8.89	15.25	--	--	16	1"-8	61.62	10.24	19.69	49.21
12	22.24	10.15	17.75	--	--	16	1-1/8"-7	72.76	15.55	19.69	57.08
14	26.10	10.15	20.25	--	--	20	1-1/8"-7	82.22	15.55	23.62	65.35
16	28.74	11.26	22.50	--	--	20	1-1/4"-7	88.22	16.93	29.53	73.62
18	29.33	12.63	24.75	--	--	24	1-1/4"-7	97.35	18.11	29.53	78.74
20	33.66	14.44	27.00	--	--	24	1-1/4"-7	107.31	19.30	23.62	85.82
24	38.77	14.64	32.00	--	--	24	1-1/2"-6	116	21.26	23.62	103.34

WEIGHT (lbs)		
HAND WHEEL	PNEUMATIC ACTUATOR	GEAR OPERATOR
187.4	176.4	176.3
242.5	244.8	231
319.6	366.9	306
451.9	553.6	433
--	773.3	612
--	1158.5	946
--	1652	1218
--	2106.2	1672
--	2893.6	1958
--	3178.1	2292
--	5620.5	3637

DIMENSIONS (Millimeters)											
DN	A	B	CPCD	D	ØE	F	G	H	J	K	L
80	260	175	168.3	695	300	8	3/4"-10	823.7	225	300	720
100	300	175	200	790	300	8	3/4"-10	930.6	225	300	810
150	360	185	269.9	980	400	12	3/4"-10	1149.8	240	300	930
200	425	185	330.2	1090	400	12	7/8"-9	1388.1	240	500	1100
250	500	226	387.4	--	--	16	1"-8	1565	260	500	1250
300	565	258	450.8	--	--	16	1-1/8"-7	1848	395	500	1450
350	663	258	514.4	--	--	20	1-1/8"-7	2088.5	395	600	1660
400	730	286	571.5	--	--	20	1-1/4"-7	2240.7	430	750	1870
450	745	321	628.6	--	--	24	1-1/4"-7	2472.8	460	750	2000
500	855	367	685.8	--	--	24	1-1/4"-7	2725.8	490	600	2180
600	965	372	812.8	--	--	24	1-1/2"-6	2946.3	540	600	2625

WEIGHT (kg)		
85	80	80
110	111	105
145	166	139
205	252	197
--	351	278
--	525	430
--	749	554
--	955	760
--	1312	890
--	1441	1040
--	2549	1650

OPTIONS & ACCESSORIES

ACTUATOR OPTIONS | SHOWN IN RED



Direct Mounted Handwheel



Bevel Gear Operator



Double Acting Pneumatic Actuator



Hydraulic Actuator



Electric Actuator

ADDITIONAL ACCESSORIES | SHOWN IN RED



Handwheel Lock Out



Pneumatic Failsafe



Non-Rising Stem



Gate Guard



Manual Override



Chain Wheel



Mechanical Limit Switch



Proximity Sensor



Solenoid



Drain Plate

SINCE 1986, BRAY HAS PROVIDED FLOW CONTROL SOLUTIONS FOR A VARIETY OF INDUSTRIES AROUND THE WORLD.

VISIT **BRAY.COM** TO LEARN MORE ABOUT BRAY PRODUCTS AND LOCATIONS NEAR YOU.

HEADQUARTERS

Bray International, Inc.

13333 Westland East Blvd.

Houston, Texas 77041

Tel: +1.281.894.5454

All statements, technical information, and recommendations in this bulletin are for general use only. Consult Bray representatives or factory for the specific requirements and material selection for your intended application. The right to change or modify product design or product without prior notice is reserved. Patents issued and applied for worldwide. Bray® is a registered trademark of Bray International, Inc.

© 2022 BRAY INTERNATIONAL, INC. ALL RIGHTS RESERVED. BRAY.COM

EN_V-6011_S767_Knife Gate_20230208



THE HIGH PERFORMANCE COMPANY

BRAY.COM