
FLOW-TEK SERIES 80

2 Piece Threaded Full Port Ball Valves



Flow-Tek's Series S80 ball valves have been designed to meet the needs of the chemical, textile and process industries. Standard 2-piece valve bodies are available in stainless steel. Stainless steel bodies are investment cast and solution annealed for the

highest quality and added strength. All body castings are marked with a foundry heat number for full traceability. These quarter turn valves feature a full port design that minimizes pressure drops with smooth flow characteristics.

Other features include low operating torque, adjustable stem packing, blowout proof stems, stainless steel safety latch handles, and optional oval handle.

Size	Pressure Rating	Steam Rating	Temperature Range	End Connections	Body Material
1/4" to 4" 8mm to 100mm	1000 psi WOG 69 bar	150 psi WSP 10.3 bar	-50°F to +450°F -46°C to +232°C	Threaded - NPT Threaded - BSPT Threaded - BSPP	Stainless Steel



Dimensions (inch)

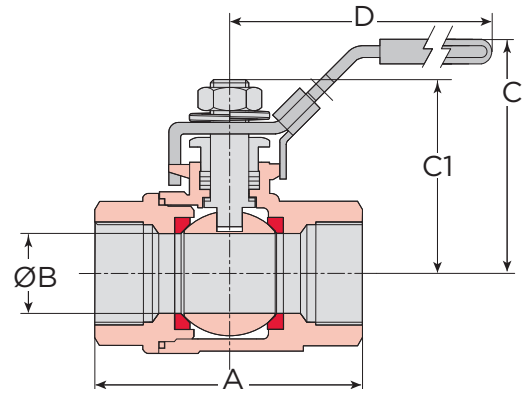
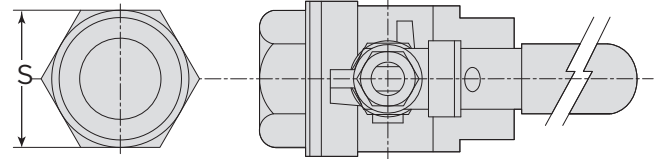
Size in	A	øB Port	C	C1	D	S	Cv	Weight lb
1/4	2.01	0.46	2.01	1.47	4.13	.83	10	0.507
3/8	2.01	0.50	1.01	1.48	4.13	.83	12	0.463
1/2	2.52	0.59	2.09	1.66	4.13	1.00	38	0.617
3/4	2.91	0.79	2.32	1.95	4.92	1.24	66	1.08
1	3.37	0.98	2.87	2.26	6.30	1.53	105	1.786
1-1/4	3.85	1.26	3.07	2.54	6.30	1.85	190	2.557
1-1/2	4.13	1.50	3.58	2.75	7.48	2.12	275	4.034
2	4.82	1.97	3.90	3.09	7.48	2.68	480	6.085
2-1/2	6.30	2.56	5.12	4.53	9.64	3.23	797	11.023
3	7.36	3.15	5.60	4.92	9.64	3.84	1210	16.535
4	9.45	3.70	6.89	6.30	12.48	5.12	1400	39.242

Dimensions (mm)

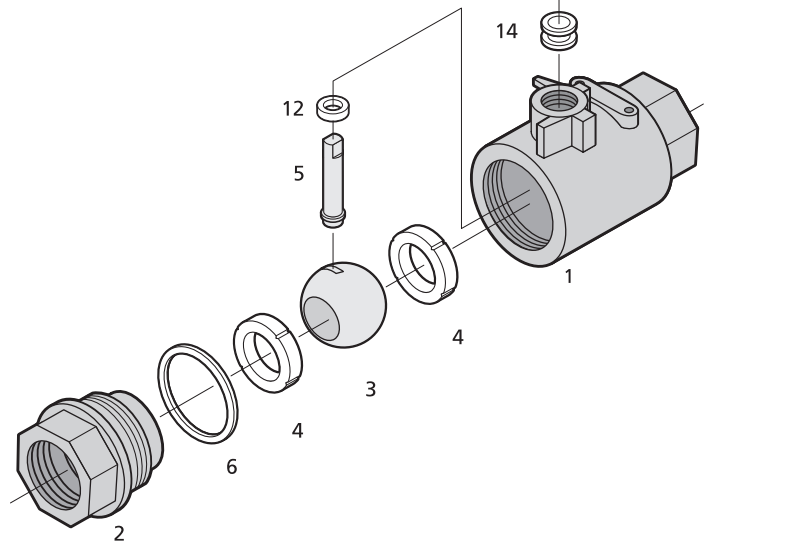
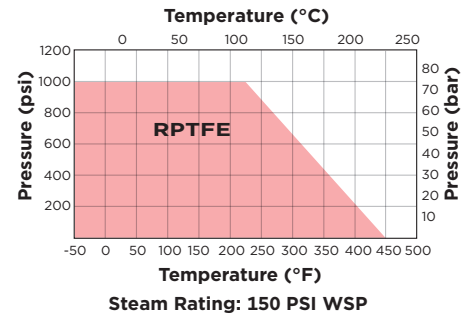
Size mm	A	øB Port	C	C1	D	S	Cv	Weight Kg
8	51	11.6	51	37.3	105	21	10	0.23
10	51	12.7	51	37.5	105	21	12	0.21
15	64	15	53	42.2	105	25.5	38	0.28
20	74	20	59	49.5	125	31.5	66	0.49
25	85.5	25	73	57.5	160	39	105	0.81
32	97.7	32	78	64.5	160	47	190	1.16
40	105	38	91	70	190	54	275	1.83
50	122.5	50	99	78.5	190	68	480	2.76
65	160	65	130	115	245	82	797	5.00
80	187	80	142	125	245	97.5	1210	7.5
100	240	94	175	160	317	130	1400	17.8

Design & Manufacturing Standards

ASME	
Pipe Threads	B1.20.1
API	
Inspection/Testing	598
MSS	
Design	SP110
Castings	SP55
Pressure Testing	SP61



Pressure/Temperature



Components & Materials

Item	Name	Material	Qty.
1	Body	ASTM A351 Gr CF8M	1
2	End Cap	ASTM A351 Gr CF8M	1
3	Ball	SS304/316	1
4	Seat	RPTFE	2
5	Stem	SS304/316	1
6	Body Seal	RPTFE	1
7	Spring Washer	SS304	1
12	Thrust Washer	RPTFE	1
14	Stem Packing	RPTFE	2
15	Gland Nut	SS304	1
25	Handle	SS304	1
26	Handle Nut	SS304	1
28	Handle Sleeve	Vinyl	1
29	Locking Device	SS304	1