
SERIES 762

BRAY SLURRYSHIELD® BIDIRECTIONAL KNIFE GATE VALVES

3 to 24 100psi (7bar)



 **Bray**[®]

BRAY.COM

THE HIGH PERFORMANCE COMPANY

FEATURES & BENEFITS

DESIGN FEATURES

Series 762 is a bidirectional heavy duty slurry valve, designed for demanding high pressure slurry applications. Twin elastomer seats and push-through gate design facilitate self-cleaning and prevent media build up.

The durable ductile iron body is offered in a two-piece bolted flange style. When fully open, the valve is full bore, offering no resistance to line media.

- 1 Upper and lower protective stem cover is standard in all models, increasing cycle life in hazardous environments.
- 2 Fully encapsulated J-ring providing sleeve reinforcement and memory assist, guaranteeing bidirectional zero leakage performance.
- 3 In the open position, the energized sleeves shield all metal components from direct contact with the flowing process media.
- 4 Gate available in a wide range of corrosion resistant alloys to suit the pressure rating and application.
- 5 The design provides unobstructed flow path, extending sleeve life and minimizing pressure drop across valve.
- 6 Flanged two-piece bolted body allows for easy maintenance and is drilled and tapped to country standards.
- 7 Optional bottom flush plate with tapped ports, allows for safe discharge of media and easy flush water connection.



Series 762 Bidirectional Heavy Duty Slurry Valve

INDUSTRY APPLICATIONS

Mining

- > Primary Milling
- > Secondary Milling
- > Primary Cyclone
- > Secondary Cyclone
- > Flotation Cell
- > Thickener
- > Filter Pump

HPAL/POX

- > Autoclave Application
- Process Pumps

Power

Pulp & Paper

Alumina

Chemical

Cement

STANDARD CONSTRUCTION

Body	DI
Gate	304
Seat	Natural Rubber
Stem	304
Gland Plate	Carbon Steel
Secondary Seal	EPDM
Topworks	Steel

TECHNICAL SPECIFICATIONS

Size Range	NPS 3 to 24 DN 80 to 600		
Body Style	Two Piece Bolted Flanged		
Pressure Rating	SS 316 Gate	Duplex 2205 Gate	17-4 PH Gate
	NPS 3-24 100psi DN80-600 7 bar	NPS 3-24 150psi DN80-600mm 10 bar	NPS 3-24 232psi DN80-600mm 16bar
Drilling	ASME B16.5 CL150 ASME B16.47 CL150		
Face to Face	Per Industry Standard		
Certification	Canadian CRN		
Design Standard	Manufacturer Standard		
Testing Standard	Manufacturer Standard ¹		

NOTE¹ 762 valves are elastomer sleeved slurry valves and MSS SP-81 does not apply. The valves are tested for bi-directional, zero leakage across the seats.

GATE OPTIONS

- 304, 316, 317 Stainless Steel
- SAF 2507 Duplex
- 17-4PH Stainless Steel
- Hastelloy® C
- Monel®
- Titanium

BODY OPTIONS

- Carbon Steel (WCB)
- CF8 Stainless Steel
- CF8M Stainless Steel
- CF3M Stainless Steel
- SAF 2205 Duplex
- SAF 2507 Duplex

SEAT OPTIONS



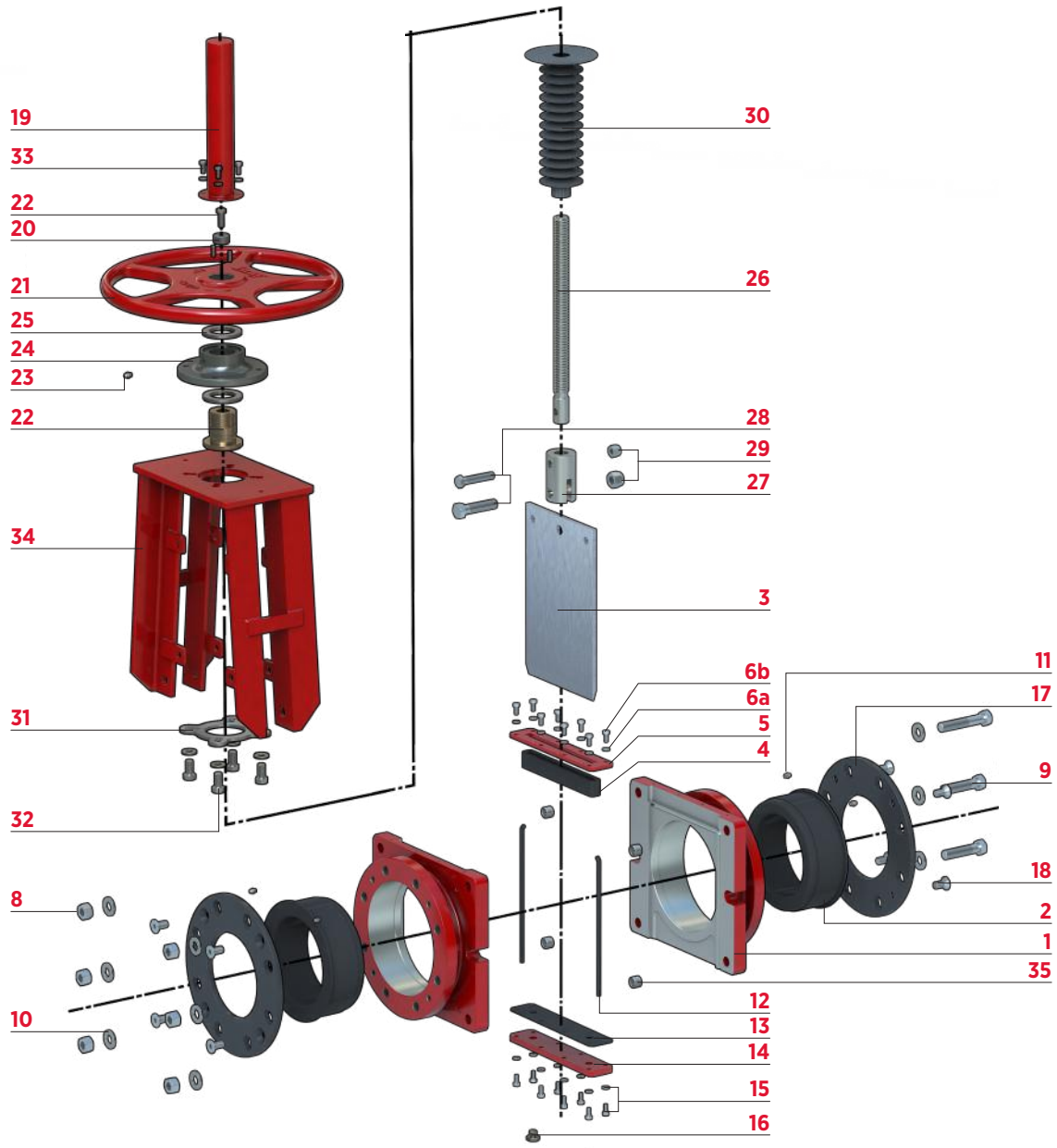
Natural Rubber	-60 to 165°F -51 to 74°C
Buna-N	-34 to 194°F -36 to 90°C
EPDM*	-65 to 248°F -54 to 150°C

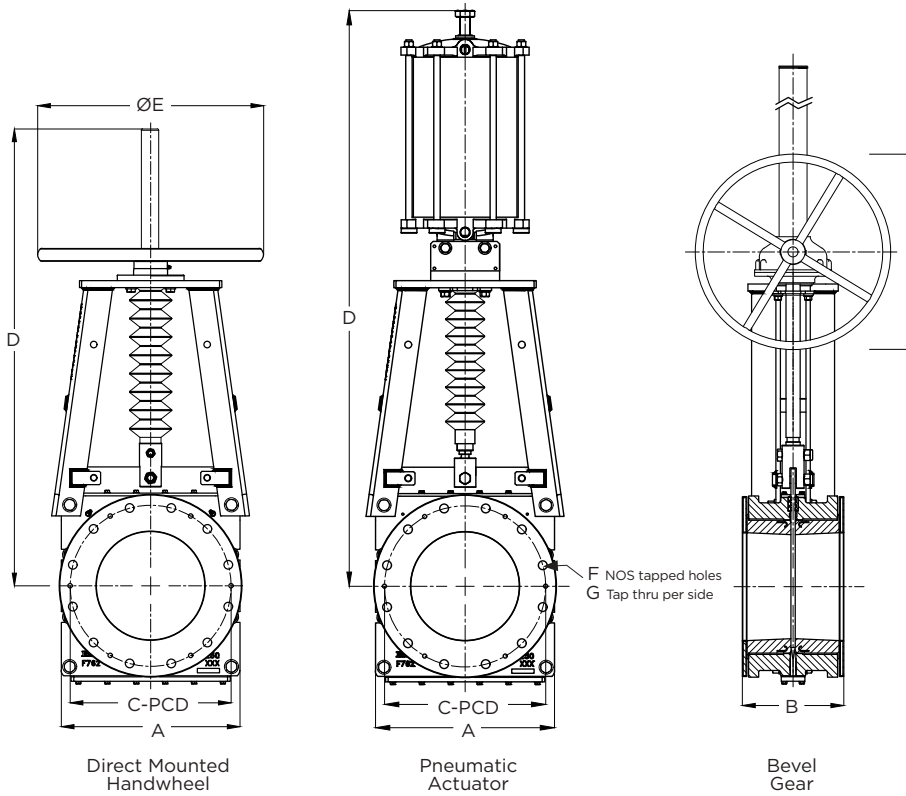
* Exposure to continuous elevated temperatures will result in premature aging of the elastomer.
¹ Do not operate the valve if the media in the line is frozen.

MATERIALS OF CONSTRUCTION

BILL OF MATERIALS & PARTS CALL OUT

Item	Description	Item	Description	Item	Description
1	Body	12	O-Ring	24	Handwheel Housing
2	Sleeve	13	Drain Plate Gasket	25	Thrust Bearing
3	Gate	14	Drain Plate	26	Stem
4	Secondary Seal	15	Drain Plate Fasteners & Washers	27	Clevis
5	Gland Plate	16	Drain Plug	28	Clevis Bolt
6a	Gland Plate Washers	17	Seat Retainer	29	Clevis Lock Nut
6b	Gland Plate Fasteners	18	Seat Retainer Screws	30	Bellows
7	Locating Bush	19	Stem Cover	31	Bellow Flange
8	Nylock Nut	20	Lock Nut	32	Bellow Mounting Fasteners
9	Body Bolt	21	Handwheel	33	Nut
10	Body Bolt Washer	22	Stem Nut	34	Superstructure/Tower
11	Grease Nipple	23	Grease Nipple	35	Locating Bush





NOTE

- 1 Consult factory for hydraulic and electric actuator dimensions.
- 2 Dimensions are approximate and subject to change. Consult factory for certified drawings.

* In conformance with ASME B16.5, Class 150 for sizes NPS 3 (DN80) through NPS 24 (DN600) and per ASME B16.47 Series A for sizes > NPS 24.

DIMENSIONS (Inches)								
NPS	A	B	CPCD	D	ØE	F	G	H
3	8.66	6.88	6.00	22.24	12	4	5/8"-11	--
4	10.04	6.88	7.50	23.94	12	8	5/8"-11	--
6	12.32	7.00	9.50	31.58	16	8	3/4"-10	--
8	13.98	7.28	11.75	36.93	20	8	3/4"-10	--
10	15.83	8.89	14.25	42.32	20	12	7/8"-9	--
12	19.09	10.15	17.00	50.79	20	12	7/8"-9	15.55
14	21.06	10.15	18.75	58.46	20	12	1"-8	15.55
16	23.43	11.02	21.25	62.99	20	16	1"-8	16.93
18	26.38	12.28	22.75	68.50	20	16	1-1/8"-7	18.11
20	28.35	14.13	25.00	72.83	30	20	1-1/8"-7	18.50
24	33.86	14.64	29.50	87.80	39	20	1-1/4"-7	21.26

WEIGHT (lbs)		
HAND WHEEL	PNEUMATIC ACTUATOR	GEAR OPERATOR
83	90	88
105	115	110
165	156	168
225	254	225
297	370	298
--	558	447
--	783	595
--	970	756
--	1587	1146
--	1905	1424
--	2976	2088

DIMENSIONS (Millimeters)								
DN	A	B	CPCD	D	ØE	F	G	H
80	220	175	152.4	630	300	4	5/8"-11	--
100	255	175	190.5	660	300	8	5/8"-11	--
150	313	178	241.3	864	300	8	3/4"-10	--
200	355	185	298.5	1005	300	8	3/4"-10	--
250	402	226	362	1140	300	12	7/8"-9	--
300	485	258	431.8	1290	500	12	7/8"-9	395
350	535	258	476.3	1485	500	12	1"-8	395
400	595	280	539.8	1600	500	16	1"-8	430
450	670	312	577.9	10	500	16	1-1/8"-7	460
500	720	359	635	1850	750	20	1-1/8"-7	470
600	860	372	749.3	2230	1000	20	1-1/4"-7	540

WEIGHT (kg)		
38	41	40
48	52	50
75	71	76
102	115	102
135	168	135
--	253	203
--	355	270
--	440	343
--	720	520
--	864	646
--	1350	947

OPTIONS & ACCESSORIES

ACTUATOR OPTIONS | SHOWN IN RED



Direct Mounted Handwheel



Bevel Gear Operator



Double Acting Pneumatic Actuator

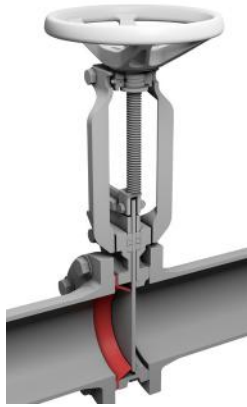


Hydraulic Actuator



Electric Actuator

ADDITIONAL ACCESSORIES | SHOWN IN RED



Deflection Cone



Handwheel Lock Out



Pinned Lockout Open & Closed



Pneumatic Failsafe



Non-Rising Stem



Gate Guard



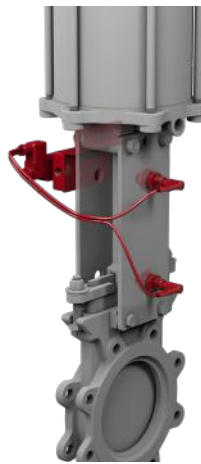
Manual Override



Chain Wheel



Mechanical Limit Switch



Proximity Sensor



Solenoid



BRAY FLOW CONTROL SOLUTIONS ARE AVAILABLE FOR A VARIETY OF INDUSTRIES.

ENERGY

Mining
Oil & Gas
Power / FGD
Nuclear Power

WATER

Water / Wastewater
Ultra Pure Water
Desalination
Irrigation

INDUSTRIAL

Chemical
Pulp & Paper
Textile
Marine

INFRASTRUCTURE

Beverage & Food
Transportation
Heating, Ventilation & Air Conditioning (HVAC)



US HEADQUARTERS

Bray International, Inc.
13333 Westland East Blvd.
Houston, Texas 77041
Tel: 281.894.5454

CHINA HEADQUARTERS

Bray Controls (ZheJiang) Co. Limited
98 GaoXin # 6 Road
XiaoShan Economic & Development Zone
HangZhou, ZheJiang 311231, P.R. China
Tel: 86 571 8285 2200

EUROPE HEADQUARTERS

Bray Armaturen & Antriebe Europa
Halskestraße 25
47877 Willich
Germany
Tel: +49 2154 8875-0

INDIA HEADQUARTERS

Bray Controls India Pvt. Ltd.
Plot No. H-18 & H-19
SIPCOT Industrial Park
Vallam Vadagal, Echoor Post
Sriperumbudur Taluk
Kancheepuram District
Tami Nadu - 631 604
Tel: +91-44-67170100



THE SMART CHOICE FOR FLOW CONTROL SINCE 1986.
WITH MORE THAN 300 LOCATIONS WORLDWIDE,
FIND A REPRESENTATIVE NEAR YOU AT **BRAY.COM**

All statements, technical information, and recommendations in this bulletin are for general use only. Consult Bray representatives or factory for the specific requirements and material selection for your intended application. The right to change or modify product design or product without prior notice is reserved. Patents issued and applied for worldwide.